

State of Nebraska - INVITATION TO BID CONTRACT

Return to:
State Purchasing Bureau
1526 K Street, Suite 130
Lincoln, Nebraska 68508

Telephone: 402-471-6500
Fax: 402-471-2089

Date	10/8/19	Page	1 of 1
Solicitation Number	6162 OF		
Opening Date and Time	11/19/19	2:00 pm	
Buyer	BUFFY MEYER (AS)		

DESTINATION OF GOODS
DEPARTMENT OF TRANSPORTATION
5001 S 14TH ST
PO BOX 94759
LINCOLN NE 68509-4759

Per Nebraska's Transparency in Government Procurement Act, DAS is required to collect statistical information regarding the number of contracts awarded to Nebraska contractors. This information is for statistical purposes only and will not be considered for contract award purposes.

NEBRASKA CONTRACTOR AFFIDAVIT: Bidder hereby attests that bidder is a Nebraska Contractor. "Nebraska Contractor" shall mean any bidder who has maintained a bona fide place of business and at least one employee within this state for at least the six (6) months immediately preceding the posting date of this ITB.

I hereby certify that I am a Resident disabled veteran or business located in a designated enterprise zone in accordance with Neb. Rev. Stat. §73-107 and wish to have preference, if applicable, considered in the award of this contract.

Contract to supply and deliver Solar Powered Trailer Mounted Arrow Board to the State of Nebraska as per the attached specifications for a one (1) year period from date of award. The contract may be renewed for four (4) additional one (1) year periods when mutually agreeable to the vendor and the State of Nebraska.

(ms 10/08/19)

INVITATION

Line	Description	Quantity	Unit of Measure	Unit Price	Extended Price
1	SOLAR POWERED TRAILER MOUNTED ARROW BOARD	7.0000	EA	\$4,346.50	\$30,425.50

Make: American Signal Company Model: FAP T825

BIDDER MUST COMPLETE THE FOLLOWING

DISCOUNT PAYMENT TERMS: 0 % 0 DAYS

By signing this Invitation to Bid form, the bidder guarantees compliance with the provisions stated in this invitation to Bid, agrees to the terms and conditions unless otherwise agreed to (see Section III) and certifies that bidder maintains a drug free work place environment. Vendor will furnish the items requested within 10 days after receipt of order. Failure to enter Delivery Date may cause quotation to be REJECTED.

Sign Ahron M. Kudela
Here (Authorized Signature MANDATORY - MUST BE SIGNED IN INK)

Enter Contact Information Below

VENDOR# 509137
VENDOR: American Signal Company
Address: 2755 Bankers Industrial Dr
Atlanta, GA 30360

Contact Ahron Kudela
Telephone 770 448.6650 x 135
Facsimile 770 448.8970
Email akudela@amsig.com

INVITATION TO BID

Number 6162 OF

The State of Nebraska (State), Department of Administrative Services (DAS), Materiel Division, State Purchasing Bureau (SPB), is issuing this solicitation for a Commodity contract, ITB Number 6162 OF for the purpose of selecting a qualified Contractor to provide Solar Powered Trailer Mounted Arrow Board. A more detailed description can be found in Section VI. The resulting contract may not be an exclusive contract as the State reserves the right to contract for the same or similar goods from other sources now or in the future.

The term of the contract will be one (1) year commencing upon execution of the contract by the State and the Contractor (Parties). The Contract includes the option to renew for four (4) additional one (1)-year periods upon mutual agreement of the Parties. The State reserves the right to extend the period of this contract beyond the termination date when mutually agreeable to the Parties.

INFORMATION PERTINENT TO THIS SOLICITATION CAN BE FOUND ON THE INTERNET AT:

<http://das.nebraska.gov/materiel/purchasing.html>

IMPORTANT NOTICE: Pursuant to Neb. Rev. Stat. § 84-602.02, State contracts in effect as of January 1, 2014, and contracts entered into thereafter, must be posted to a public website. The resulting contract, the solicitation, and the successful Contractor's proposal or response will be posted to a public website managed by DAS, which can be found at:

<https://statecontracts.nebraska.gov>

In addition and in furtherance of the State's public records statute (Neb. Rev. Stat. § 84-712 et seq.) all proposals or responses received regarding this solicitation will be posted to the SPB website.

These postings will include the entire proposal or response. Contractor must request that proprietary information be excluded from the posting. The Contractor must identify the proprietary information, mark the proprietary information according to state law, and submit the proprietary information in a separate container or envelope marked conspicuously using an indelible method with the words "PROPRIETARY INFORMATION". The Contractor must submit a **detailed written document showing** that the release of the proprietary information would give a business advantage to named business competitor(s) and explain how the named business competitor(s) will gain an actual business advantage by disclosure of information. The mere assertion that information is proprietary or that a speculative business advantage might be gained is not sufficient. (See Attorney General Opinion No. 92068, April 27, 1992) **THE CONTRACTOR MAY NOT ASSERT THAT THE ENTIRE PROPOSAL OR RESPONSE IS PROPRIETARY. COST WILL NOT BE CONSIDERED PROPRIETARY AND IS A PUBLIC RECORD IN THE STATE OF NEBRASKA.** The State will then determine, in its discretion, if the interests served by nondisclosure outweighs any public purpose served by disclosure. (See Neb. Rev. Stat. § 84-712.05(3)) The Contractor will be notified of the agency's decision. Absent a State determination that information is proprietary, the State will consider all information a public record subject to release regardless of any assertion that the information is proprietary.

If the agency determines it is required to release proprietary information, the Contractor will be informed. It will be the Contractor's responsibility to defend the Contractor's asserted interest in non-disclosure.

To facilitate such public postings, with the exception of proprietary information, the State of Nebraska reserves a royalty-free, nonexclusive, and irrevocable right to copy, reproduce, publish, post to a website, or otherwise use any contract, proposal, or response to this solicitation for any purpose, and to authorize others to use the documents. Any individual or entity awarded a contract, or who submits a proposal or response to this solicitation, specifically waives any copyright or other protection the contract, proposal, or response to the solicitation may have; and, acknowledges that they have the ability and authority to enter into such waiver. This reservation and waiver is a prerequisite for submitting a proposal or response to this solicitation, and award of a contract. Failure to agree to the reservation and waiver will result in the proposal or response to the solicitation being found non-responsive and rejected.

Any entity awarded a contract or submitting a proposal or response to the solicitation agrees not to sue, file a claim, or make a demand of any kind, and will indemnify and hold harmless the State and its employees, volunteers, agents, and its elected and appointed officials from and against any and all claims, liens, demands, damages, liability, actions, causes of action, losses, judgments, costs, and expenses of every nature, including investigation costs and expenses, settlement costs, and attorney fees and expenses, sustained or asserted against the State, arising out of, resulting from, or attributable to the posting of the contract or the proposals and responses to the solicitation, awards, and other documents.

TABLE OF CONTENTS

INVITATION TO BID		i
TABLE OF CONTENTS		ii
GLOSSARY OF TERMS		iv
ACRONYM LIST		viii
I. PROCUREMENT PROCEDURE		1
A. GENERAL INFORMATION		1
B. PROCURING OFFICE AND COMMUNICATION WITH STATE STAFF AND EVALUATORS		1
C. SCHEDULE OF EVENTS		2
D. WRITTEN QUESTIONS AND ANSWERS		2
E. SECRETARY OF STATE/TAX COMMISSIONER REGISTRATION REQUIREMENTS (Statutory)		2
F. ETHICS IN PUBLIC CONTRACTING		3
G. DEVIATIONS FROM THE INVITATION TO BID		3
H. SUBMISSION OF PROPOSALS		3
I. PROPOSAL PREPARATION COSTS		4
J. FAILURE TO COMPLY WITH INVITATION TO BID		4
K. PROPOSAL CORRECTIONS		4
L. LATE PROPOSALS		4
M. PROPOSAL OPENING		4
N. INVITATION TO BID/PROPOSAL REQUIREMENTS		4
O. EVALUATION OF PROPOSALS		5
P. ORAL INTERVIEWS/PRESENTATIONS AND/OR DEMONSTRATIONS		5
Q. BEST AND FINAL OFFER		6
R. REFERENCE AND CREDIT CHECKS		6
S. AWARD		6
T. SPECIFICATIONS		6
U. SAMPLES		7
V. ALTERNATE/EQUIVALENT PROPOSALS		7
W. LUMP SUM OR "ALL OR NONE" PROPOSALS		7
X. EMAIL SUBMISSIONS		7
Y. PROPOSAL TABULATIONS		7
Z. REJECTION OF PROPOSALS		7
AA. RESIDENT BIDDER		7
II. TERMS AND CONDITIONS		8
A. GENERAL		8
B. NOTIFICATION		9
C. NOTICE (POC)		9
D. GOVERNING LAW (Statutory)		9
E. AMENDMENT		9
F. CHANGE ORDERS OR SUBSTITUTIONS		10
G. VENDOR PERFORMANCE REPORT(S)		10
H. NOTICE OF POTENTIAL CONTRACTOR BREACH		10
I. BREACH		11
J. NON-WAIVER OF BREACH		11
K. SEVERABILITY		11
L. INDEMNIFICATION		12
M. ATTORNEY'S FEES		12
N. ASSIGNMENT, SALE, OR MERGER		13
O. CONTRACTING WITH OTHER POLITICAL SUB-DIVISIONS OF THE STATE OR ANOTHER STATE		13
P. FORCE MAJEURE		13
Q. CONFIDENTIALITY		14
R. EARLY TERMINATION		14
S. CONTRACT CLOSEOUT		15
III. CONTRACTOR DUTIES		16
A. INDEPENDENT CONTRACTOR / OBLIGATIONS		16
B. EMPLOYEE WORK ELIGIBILITY STATUS		17

C.	COMPLIANCE WITH CIVIL RIGHTS LAWS AND EQUAL OPPORTUNITY EMPLOYMENT / NONDISCRIMINATION (Statutory).....	17
D.	COOPERATION WITH OTHER CONTRACTORS	17
E.	DISCOUNTS.....	17
F.	PRICES	18
G.	COST CLARIFICATION.....	18
H.	PERMITS, REGULATIONS, LAWS	18
I.	OWNERSHIP OF INFORMATION AND DATA / DELIVERABLES	18
J.	INSURANCE REQUIREMENTS.....	19
K.	NOTICE OF POTENTIAL CONTRACTOR BREACH	21
L.	ANTITRUST.....	21
M.	CONFLICT OF INTEREST	21
N.	STATE PROPERTY.....	22
O.	SITE RULES AND REGULATIONS	22
P.	ADVERTISING	22
Q.	NEBRASKA TECHNOLOGY ACCESS STANDARDS (Statutory).....	22
R.	DISASTER RECOVERY/BACK UP PLAN.....	23
S.	DRUG POLICY	23
T.	WARRANTY	23
IV.	PAYMENT	24
A.	PROHIBITION AGAINST ADVANCE PAYMENT (Statutory).....	24
B.	TAXES (Statutory)	24
C.	INVOICES.....	24
D.	INSPECTION AND APPROVAL	24
E.	PAYMENT (Statutory).....	24
F.	LATE PAYMENT (Statutory).....	24
G.	SUBJECT TO FUNDING / FUNDING OUT CLAUSE FOR LOSS OF APPROPRIATIONS (Statutory).....	24
H.	RIGHT TO AUDIT (First Paragraph is Statutory).....	25
V.	SCOPE OF WORK	26
A.	SCOPE	26
VI.	TECHNICAL SPECIFICATIONS	27
A.	CONTRACTOR INSTRUCTIONS.....	27
B.	NON-COMPLIANCE STATEMENT	27
C.	TECHNICAL SPECIFICATIONS: TRAILER.....	28
D.	TECHNICAL SPECIFICATION: GENERAL.....	29
E.	TECHNICAL SPECIFICATION: CONTROLLER.....	30
F.	TECHNICAL SPECIFICATION: SOLAR POWER AND BATTERY BANK.....	30
G.	TECHNICAL SPECIFICATION: MANUALS.....	31
H.	TECHNICAL SPECIFICATION: MISCELLANEOUS	31
I.	TECHNICAL SPECIFICATION: CIRCUIT DIAGRAM	31
J.	TECHNICAL SPECIFICATION: WARRANTY.....	32
K.	TECHNICAL SPECIFICATION: INSPECTION PRIOR TO AWARD.....	32
L.	TECHNICAL SPECIFICATION: AUTHORIZED DEALER.....	33
M.	TECHNICAL SPECIFICATION: SPECIFICATION FORM(S)	33
N.	ANNUAL USAGE, ESTIMATED	33
O.	USAGE REPORT	33
P.	DELIVERY ARO	34
Q.	DELIVERY LOCATIONS / INSTRUCTIONS (CONTRACTOR AGREES THAT THEY CAN MEET THE DELIVERY LOCATIONS/INSTRUCTIONS).....	34
R.	ORDERS	34
S.	QUALITY	34
	Form A Contractor Contact Sheet.....	35

GLOSSARY OF TERMS

Acceptance Test Procedure: Benchmarks and other performance criteria, developed by the State or other sources of testing standards, for measuring the effectiveness of products or goods and the means used for testing such performance

Addendum: Something to be added or deleted to an existing document; a supplement

After Receipt of Order (ARO): After Receipt of Order

Agency: Using agencies shall mean and include all officers of the state, departments, bureaus, boards, commissions, councils, and institutions receiving legislative appropriations

Agent/Representative: A person authorized to act on behalf of another

Amend: To alter or change by adding, subtracting, or substituting

Amendment: A written correction or alteration to a document

Appropriation: Legislative authorization to expend public funds for a specific purpose. Money set apart for a specific use

Automated Clearing House (ACH): Electronic network for financial transactions in the United States

Award: All purchases, leases, or contracts which are based on competitive proposals will be awarded according to the provisions in the solicitation

Best and Final Offer (BAFO): In a competitive proposal, the final offer submitted which contains contractor's most favorable terms for price

Bid Bond: An insurance agreement, accompanied by a monetary commitment, by which a third party (the surety) accepts liability and guarantees that the contractor will not withdraw the proposal

Bidder: A contractor who submits an offer proposal in response to a written solicitation

Breach: Violation of a contractual obligation by failing to perform or repudiation of one's own promise.

Business: Any corporation, partnership, individual, sole proprietorship, joint-stock company, joint venture, or any other private legal entity

Business Day: Any weekday, except State-recognized holidays

Calendar Day: Every day shown on the calendar including Saturdays, Sundays, and State/Federal holidays

Cancellation: To call off or revoke a proposal, purchase order or contract without expectation of conducting or performing at a later time

Catalog/Non-Core: A printed or electronic list of products a contractor may provide at a discounted rate or discount off list price to the State. Initial contract award(s) is not based on Catalog/Non-Core items

Central Processing Unit (CPU): Any computer or computer system that is used by the State to store, process, or retrieve data or perform other functions using Operating Systems and applications software

Change Order: Document that provides amendments to an executed purchase order

Collusion: An agreement or cooperation between two or more persons or entities to accomplish a fraudulent, deceitful, or unlawful purpose

Commodities: Any equipment, material, supply or goods; anything movable or tangible that is provided or sold

Commodities Description: Detailed descriptions of the items to be purchased; may include information necessary to obtain the desired quality, type, color, size, shape, or special characteristics necessary to perform the work intended to produce the desired results

Competition: The effort or action of two or more commercial interests to obtain the same business from third parties

Confidential Information: Unless otherwise defined below, "Confidential Information" shall also mean proprietary trade secrets, academic and scientific research work which is in progress and unpublished, and other information which if released would give advantage to business competitors and serve no public purpose (see Neb. Rev. Stat. §84-712.05(3)). In accordance with Nebraska Attorney General Opinions 92068 and 97033, proof that information is proprietary requires identification of specific, named competitor(s) who would be advantaged by release of the information and the specific advantage the competitor(s) would receive

Contract: An agreement between two or more parties creating obligations that are enforceable or otherwise recognizable at law; the writing that sets forth such an agreement

Contract Administration: The management of the contract which includes and is not limited to contract signing, contract amendments and any necessary legal actions

Contract Management: The management of day to day activities at the agency which includes and is not limited to ensuring deliverables are received, specifications are met, handling meetings and making payments to the Contractor

Contract Period: The duration of the contract

Contractor: An individual or entity lawfully conducting business in the State, who seeks or agrees to provide goods or services under the terms of a written contract.

Cooperative Purchasing: The combining of requirements of two or more political entities to obtain advantages of volume purchases, reduction in administrative expenses or other public benefits

Copyright: A property right in an original work of authorship fixed in any tangible medium of expression, giving the holder the exclusive right to reproduce, adapt and distribute the work

Core List: Items specifically listed on the solicitation upon which a proposal is evaluated for award

Critical Program Error: Any Program Error, whether or not known to the State, which prohibits or significantly impairs use of the Licensed Software as set forth in the documentation and intended in the contract

Customer Service: The process of ensuring customer satisfaction by providing assistance and advice on those products or goods provided by a Contractor

Default: The omission or failure to perform a contractual duty

Deviation: Any proposed change(s) or alteration(s) to either the terms and conditions or deliverables within the scope of the written solicitation or contract

Evaluation: The process of examining an offer after opening to determine the contractor's responsibility, responsiveness to requirements, and to ascertain other characteristics of the offer that relate to determination of the successful award

Evaluation Committee: Committee(s) appointed by the requesting agency that advises and assists the procuring office in the evaluation of proposal/s (offers made in response to written solicitations)

Extension: Continuance of a contract for a specified duration upon the agreement of the parties beyond the original Contract Period. Not to be confused with "Renewal Period"

Free on Board (F.O.B.) Destination: The delivery charges are included in the quoted price and prepaid by the contractor. Contractor is responsible for all claims associated with damages during delivery of product

Free on Board (F.O.B.) Point of Origin: The delivery charges are not included in the quoted price and are the responsibility of the agency. Agency is responsible for all claims associated with damages during delivery of product

Foreign Corporation: A foreign corporation that was organized and chartered under the laws of another state, government, or country.

Installation Date: The date when the procedures described in "Installation by Contractor", and "Installation by State", as found in the solicitation, or contract are completed.

Interested Party: A person, acting in their personal capacity, or an entity entering into a contract or other agreement creating a legal interest therein

Invalid Proposal: A proposal that does not meet the requirements of the solicitation or cannot be evaluated against the other proposals.

Invitation to Bid (ITB): A written solicitation utilized for obtaining competitive offers for Services or Goods

Late Proposal: An offer received after the Opening Date and Time

Licensed Software Documentation: The user manuals and any other materials in any form or medium customarily provided by the Contractor to the users of the Licensed Software which will provide the State with sufficient information to operate, diagnose, and maintain the Licensed Software properly, safely, and efficiently

Mandatory/Must: Required, compulsory, or obligatory

May: Discretionary, permitted; used to express possibility

Module (see System): A collection of routines and data structures that perform a specific function of software

Must: See Mandatory/Must and Shall/Will/Must

National Institute for Governmental Purchasing (NIGP): National Institute of Governmental Purchasing – Source used for assignment of universal commodity codes to goods and services

Non-core: See Catalog.

Open Market Purchase: Authorization may be given to an agency to purchase items above direct purchase authority due to the unique nature, price, quantity, location of the using agency, or time limitations by the AS Materiel Division, State Purchasing Bureau

Opening Date and Time: Specified date and time for the public opening of received, labeled, and sealed formal proposals

Operating System: The control program in a computer that provides the interface to the computer hardware and peripheral devices, and the usage and allocation of memory resources, processor resources, input/output resources, and security resources

Outsourcing: The contracting out of a business process which an organization may have previously performed internally or has a new need for, to an independent organization from which the process is purchased back

Payroll & Financial Center (PFC): Electronic procurement system of record

Performance Bond: An insurance agreement, accompanied by a monetary commitment, by which a third party (the surety) accepts liability and guarantees that the Contractor fulfills any and all obligations under the contract

Platform: A specific hardware and Operating System combination that is different from other hardware and Operating System combinations to the extent that a different version of the Licensed Software product is required to execute properly in the environment established by such hardware and Operating System combination

Point of Contact (POC): The person designated to receive communications and to communicate

Pre-Proposal Conference: A meeting scheduled for the purpose of clarifying a written solicitation and related expectations

Product: Something that is distributed commercially for use or consumption and that is usually (1) tangible personal property, (2) the result of fabrication or processing, and (3) an item that has passed through a chain of commercial distribution before ultimate use or consumption

Program Error: Code in Licensed Software which produces unintended results or actions, or which produces results or actions other than those described in the specifications. A program error includes, without limitation, any Critical Program Error

Program Set: The group of programs and products, including the Licensed Software specified in the solicitation, plus any additional programs and products licensed by the State under the contract for use by the State

Project: The total scheme, program, or method worked out for the accomplishment of an objective, including all documentation, commodities, and goods to be provided under the contract

Proposal: An offer, bid, or quote submitted by a contractor/vendor in a response to a written solicitation

Proprietary Information: Proprietary information is defined as trade secrets, academic and scientific research work which is in progress and unpublished, and other information which if released would give advantage to business competitors and serve no public purpose (see Neb. Rev. Stat. § 84-712.05(3)). In accordance with Attorney General Opinions 92068 and 97033, proof that information is proprietary requires identification of specific named competitor(s) advantaged by release of the information and the demonstrated advantage the named competitor(s) would gain by the release of information

Protest/Grievance: A complaint about a governmental action or decision related to the solicitation or resultant contract, brought by a contractor who has timely submitted a proposal response in connection with the award in question, to AS Materiel Division or another designated agency with the intention of achieving a remedial result

Public Proposal Opening: The process of opening correctly submitted offers at the time and place specified in the written solicitation and in the presence of anyone who wished to attend

Quote: See Proposal

Recommended Hardware Configuration: The data processing hardware (including all terminals, auxiliary storage, communication, and other peripheral devices) to the extent utilized by the State as recommended by the Contractor.

Release Date: The date of public release of the written solicitation to seek offers

Renewal Period: Optional contract periods subsequent to the original Contract Period for a specified duration with previously agreed to terms and conditions. Not to be confused with Extension

Request for Information (RFI): A general invitation to contractor is requesting information for a potential future solicitation. The RFI is typically used as a research and information gathering tool for preparation of a solicitation

Responsible Contractor: A Contractor who has the capability in all respects to perform fully and lawfully all requirements with integrity and reliability to assure good faith performance

Responsive Contractor: A Contractor who has submitted a proposal which conforms to all requirements of the solicitation document

Shall: See Must

Should: Expected; suggested, but not necessarily mandatory

Software License: Legal instrument with or without printed material that governs the use or redistribution of licensed software

Sole Source – Commodity: When an item is available from only one source due to the unique nature of the requirement, its contractor, or market conditions

Sole Source – Service: A service of such a unique nature that the contractor selected is clearly and justifiably the only practical source to provide the service. Determination that the contractor selected is justifiably the sole source is based on either the uniqueness of the service or sole availability at the location required

Specifications: The detailed statement, especially of the measurements, quality, materials, and functional characteristics, or other items to be provided under a contract

Statutory: These clauses are controlled by state law and are not subject to negotiation

Subcontractor: Individual or entity with whom the contractor enters a contract to perform a portion of the work awarded to the contractor

System (see Module): Any collection or aggregation of two (2) or more Modules that is designed to function, or is represented by the Contractor as functioning or being capable of functioning, as an entity

Termination: Occurs when the contract expires or either party, pursuant to a power created by agreement or law puts an end to the contract prior to the stated expiration date. All obligations which are still executory on both sides are discharged but any right based on prior breach or performance survives

Third-Party: Any person or entity, including but not limited to fiduciaries, shareholders, owners, officers, managers, employees, legally disinterested persons, and sub-contractors or agents, and their employees. It shall not include any entity or person who is an interested Party to the contract or agreement

Trade Secret: Information, including, but not limited to, a drawing, formula, pattern, compilation, program, device, method, technique, code, or process that (a) derives independent economic value, actual or potential, from not being known to, and not being ascertainable by proper means by, other persons who can obtain economic value from its disclosure or use; and (b) is the subject of efforts that are reasonable under the circumstances to maintain its secrecy (see Neb. Rev. Stat. § 87-502(4))

Trademark: A word, phrase, logo, or other graphic symbol used by a manufacturer or contractor to distinguish its product from those of others, registered with the U.S. Patent and Trademark Office

Upgrade: Any change that improves or alters the basic function of a product of service

Vendor Performance Report: A report completed by the using agency and submitted to State Purchasing Bureau documenting products or services delivered or performed which exceed or fail to meet the terms of the purchase order, contract, and/or solicitation specifications.

Vendor: Inclusive term for any Bidder or Contractor.

Will: See Mandatory/Must/Shall

Work Day: See Business Day

ACRONYM LIST

ARO – After Receipt of Order

ACH – Automated Clearing House

BAFO – Best and Final Offer

COI – Certificate of Insurance

CPU – Central Processing Unit

DAS – Department of Administrative Services

F.O.B. – Free on Board

ITB – Invitation to Bid

NIGP – National Institute for Governmental Purchasing

PA – Participating Addendum

RFI – Request for Information

RFP – Request for Proposal

SPB – State Purchasing Bureau

I. PROCUREMENT PROCEDURE

A. GENERAL INFORMATION

The solicitation is designed to solicit proposals from qualified Contractors who will be responsible for providing Solar Powered Trailer Mounted Arrow Board at a competitive and reasonable cost. Terms and Conditions, Project Description and Scope of Work, Proposal instructions, and Cost Proposal Requirements may be found in Sections II through VI.

Proposals shall conform to all instructions, conditions, and requirements included in the solicitation. Prospective Contractors are expected to carefully examine all documents, schedules, and requirements in this solicitation, and respond to each requirement in the format prescribed. Proposals may be found non-responsive if they do not conform to the solicitation.

B. PROCURING OFFICE AND COMMUNICATION WITH STATE STAFF AND EVALUATORS

Procurement responsibilities related to this solicitation reside with SPB. The point of contact (POC) for the procurement is as follows:

Solicitation Number: ITB 6162 OF
Name: Buffy Meyer
Agency: State Purchasing Bureau
Address: 1526 K Street, Suite 130
Lincoln, NE 68508

Telephone: 402-471-6500

E-Mail: as.materielpurchasing@nebraska.gov

From the date the solicitation is issued until the Intent to Award is issued, communication from the Contractor is limited to the POC listed above. After the Intent to Award is issued, the Contractor may communicate with individuals the State has designated as responsible for negotiating the contract on behalf of the State. No member of the State Government, employee of the State, or member of the Evaluation Committee is empowered to make binding statements regarding this solicitation. The POC will issue any answers, clarifications or amendments regarding this solicitation in writing. Only the SPB or awarding agency can award a contract. Contractors shall not have any communication with, or attempt to communicate or influence any evaluator involved in this solicitation.

The following exceptions to these restrictions are permitted:

1. Contact made pursuant to pre-existing contracts or obligations;
2. Contact required by the schedule of events or an event scheduled later by POC; and
3. Contact required for negotiation and execution of the final contract.

The State reserves the right to reject a contractor's proposal, withdraw an Intent to Award, or terminate a contract if the State determines there has been a violation of these procurement procedures.

C. SCHEDULE OF EVENTS

The State expects to adhere to the procurement schedule shown below, but all dates are approximate and subject to change.

ACTIVITY		DATE/TIME
1.	Release solicitation	10/15/2019
2.	Last day to submit written questions	10/29/2019
3.	State responds to written questions through a solicitation "Addendum" and/or "Amendment" to be posted to the Internet at: http://das.nebraska.gov/materiel/purchasing.html	10/31/2019
4.	Proposal Opening Location: State Purchasing Bureau 1526 K Street, Suite 130 Lincoln, NE 68508	11/19/2019 2:00 PM Central Time
5.	Review for conformance with ITB requirements	11/19/2019
6.	Evaluation period	TBD
7.	"Presentations and/or Demonstrations" (if required)	TBD
8.	Post "Notification of Intent to Award" to Internet at: http://das.nebraska.gov/materiel/purchasing.html	TBD
9.	Contract finalization period	TBD
10.	Contract award	TBD
11.	Contractor start date	TBD

D. WRITTEN QUESTIONS AND ANSWERS

Questions regarding the meaning or interpretation of any solicitation provision must be submitted in writing to SPB and clearly marked "ITB Number 6162 OF; Solar Powered Trailer Mounted Arrow Board Questions". POC is not obligated to respond to questions that are received late per the Schedule of Events.

Contractors should present, as questions, any assumptions upon which the Contractor's proposal is or might be developed. Proposals will be evaluated without consideration of any known or unknown assumptions of a Contractor. The contract will not incorporate any known or unknown assumptions of a Contractor.

It is preferred that questions be sent via e-mail to as.materielpurchasing@nebraska.gov, but may be delivered by hand or by U.S. Mail. It is recommended that Contractors submit questions using the following format.

Solicitation Section Reference	Solicitation Page Number	Question

Written answers will be posted at <http://das.nebraska.gov/materiel/purchasing.html> per the Schedule of Events.

E. SECRETARY OF STATE/TAX COMMISSIONER REGISTRATION REQUIREMENTS (Statutory)

All Contractors must be authorized to transact business in the State and comply with all Nebraska Secretary of State Registration requirements. The Contractor who is the recipient of an Intent to Award will be required to certify that it has complied and produce a true and correct copy of its current (within ninety (90) calendar days of the intent to award) Certificate or Letter of Good Standing, or in the case of a sole proprietorship, provide written documentation of sole proprietorship and the United States Citizenship Attestation Form, available on the DAS website at: <http://das.nebraska.gov/materiel/purchasing.html>. This must be accomplished prior to execution of the contract.

F. ETHICS IN PUBLIC CONTRACTING

The State reserves the right to reject proposals, withdraw an intent to award or award, or terminate a contract if a Contractor commits or has committed ethical violations, which include, but are not limited to:

1. Offering or giving, directly or indirectly, a bribe, fee, commission, compensation, gift, gratuity, or anything of value to any person or entity in an attempt to influence the bidding process;
2. Utilize the services of lobbyists, attorneys, political activists, or consultants to influence or subvert the bidding process;
3. Being considered for, presently being, or becoming debarred, suspended, ineligible, or excluded from contracting with any state or federal entity;
4. Submitting a proposal on behalf of another party or entity;
5. Collude with any person or entity to influence the bidding process, submit sham proposals, preclude bidding, fix pricing or costs, create an unfair advantage, subvert the proposal, or prejudice the State.

The Contractor shall include this clause in any subcontract entered into for the exclusive purpose of performing this contract.

Contractor shall have an affirmative duty to report any violations of this clause by the Contractor throughout the bidding process, and throughout the term of this contract for the successful Contractor and their subcontractors.

G. DEVIATIONS FROM THE INVITATION TO BID

The requirements contained in the solicitation (Sections II through VI) become a part of the terms and conditions of the contract resulting from this solicitation. Any deviations from the solicitation in Sections II through VI must be clearly defined by the Contractor in its proposal and, if accepted by the State, will become part of the contract. Any specifically defined deviations must not be in conflict with the basic nature of the solicitation, solicitation requirements, or applicable state or federal laws or statutes. "Deviation", for the purposes of this solicitation, means any proposed changes or alterations to either the contractual language or deliverables within the scope of this solicitation. The State discourages deviations and reserves the right to reject proposed deviations.

H. SUBMISSION OF PROPOSALS

*****ALL PROPOSALS MUST BE SUBMITTED IN A SEALED ENVELOPE OR CONTAINER!*****

Contractors should submit one proposal marked on the first page: "ORIGINAL". If multiple proposals are submitted, the State will retain one copy marked "ORIGINAL" and destroy the other copies. The Contractor is solely responsible for any variance between the copies submitted. Proposal responses should include the completed Form A, "Contractor Proposal Point of Contact". Proposals must reference the ITB number and be sent to the specified address. Please note that the address label should appear as specified in Section I B, on the face of each container or contractor's proposal response packet. If a recipient phone number is required for delivery purposes, 402-471-6500 should be used. The ITB number should be included in all correspondence. The State will not furnish packaging and sealing materials. It is the contractor's responsibility to ensure the ITB is received in a sealed envelope or container and submitted by the date and time indicated in the Schedule of Events. Sealed proposals must be received in the State Purchasing Bureau by the date and time of the proposal opening per the Schedule of Events. No late proposals will be accepted.

The Invitation to Bid form must be manually signed in an indelible manner and returned by the proposal opening date and time along with the contractor's Invitation to Bid along with any other requirements as stated in the Invitation to Bid document in order for the contractor's Invitation to Bid response to be evaluated.

It is the responsibility of the contractor to check the website for all information relevant to this Invitation to Bid to include addenda and/or amendments issued prior to the opening date. Website address is as follows: <http://das.nebraska.gov/materiel/purchasing.html>

Emphasis should be concentrated on conformance to the ITB instructions, responsiveness to requirements, completeness, and clarity of content. If the contractor's proposal is presented in such a fashion that makes evaluation difficult or overly time consuming the State reserves the right to reject the proposal as non-conforming.

By signing the Invitation to Bid, the contractor guarantees compliance with the provisions stated in this ITB.

The State shall not incur any liability for any costs incurred by contractors in replying to this ITB, in the demonstrations and/or oral presentations, or in any other activity related to bidding on this ITB.

I. PROPOSAL PREPARATION COSTS

The State shall not incur any liability for any costs incurred by Contractors in replying to this solicitation, including any activity related to bidding on this solicitation.

J. FAILURE TO COMPLY WITH INVITATION TO BID

Violation of the terms and conditions contained in this solicitation or any resultant contract, at any time before or after the award, shall be grounds for action by the State which may include, but is not limited to, the following:

1. Rejection of a Contractor's proposal;
2. Withdrawal of the Intent to Award;
3. Withdrawal of the Award;
4. Negative Vendor Performance Report(s)
5. Termination of the resulting contract;
6. Legal action; or,
7. Suspension of the Contractor from further bidding with the State for the period of time relative to the seriousness of the violation, such period to be within the sole discretion of the State.

K. PROPOSAL CORRECTIONS

A contractor may correct a mistake in a proposal prior to the time of opening by giving written notice to the State of intent to withdraw the proposal for modification or to withdraw the proposal completely. Changing a proposal after opening may be permitted if the change is made to correct a minor error that does not affect price, quantity, quality, delivery, or contractual conditions. In case of a mathematical error in extension of price, unit price shall govern.

L. LATE PROPOSALS

Proposals received after the time and date of the proposal opening will be considered late proposals. Late proposals will be returned unopened, if requested by the Contractor and at Contractor's expense. The State is not responsible for proposals that are late or lost regardless of cause or fault.

M. PROPOSAL OPENING

Anyone may attend the opening. It is considered a public opening. The Buyer will read the names of the respondents. Depending upon the complexity of the proposal for goods, the buyer may read the proposals aloud or allow proposals be available for viewing by the public during the proposal opening. Once the proposal opening has concluded, the proposals will not be available for viewing until the Intent to Award has been posted. An initial proposal tabulation will be posted to the website as soon as feasible. Information identified as proprietary by the submitting contractor, in accordance with the solicitation and state statute, will not be posted. If the state determines submitted information should not be withheld, in accordance with the [Public Records Act](#), or if ordered to release any withheld information, said information may then be released. The submitting contractor will be notified of the release and it shall be the obligation of the submitting contractor to take further action, if it believes the information should not be released.

N. INVITATION TO BID/PROPOSAL REQUIREMENTS

The proposals will first be examined to determine if all requirements listed below have been addressed and whether further evaluation is warranted. Proposals not meeting the requirements may be rejected as non-responsive. The requirements are:

1. Original Commodity ITB form signed using an indelible method (electronic signatures are acceptable);
2. Clarity and responsiveness of the proposal;
3. Completed Sections II through VI;
4. Completed ITB Form or State's Cost Sheet.

O. EVALUATION OF PROPOSALS

All proposals that are responsive to the solicitation will be evaluated based on the following:

1. Cost Proposal

Neb. Rev. Stat. §81-161 allows the quality of performance of previous contracts to be considered when evaluating responses to competitively bid solicitations in determining the lowest responsible bidder. Information obtained from any Vendor Performance Report (See Terms & Conditions, Section H) may be used in evaluating responses to solicitations for goods and services to determine the best value for the State.

Neb. Rev. Stat. §73-107 allows for a preference for a resident disabled veteran or business located in a designated enterprise zone. When a state contract is to be awarded to the lowest responsible contractor, a resident disabled veteran or a business located in a designated enterprise zone under the Enterprise Zone Act shall be allowed a preference over any other resident or nonresident contractor, if all other factors are equal.

Resident disabled veterans means any person (a) who resides in the State of Nebraska, who served in the United States Armed Forces, including any reserve component or the National Guard, who was discharged or otherwise separated with a characterization of honorable or general (under honorable conditions), and who possesses a disability rating letter issued by the United States Department of Veterans Affairs establishing a service-connected disability or a disability determination from the United States Department of Defense and (b)(i) who owns and controls a business or, in the case of a publicly owned business, more than fifty percent of the stock is owned by one or more persons described in subdivision (a) of this subsection and (ii) the management and daily business operations of the business are controlled by one or more persons described in subdivision(a) of this subsection. Any contract entered into without compliance with this section shall be null and void.

Therefore, if a resident disabled veteran or business located in a designated enterprise zone submits a proposal in accordance with Neb. Rev. Stat. §73-107 and has so indicated on the ITB cover page under "Contractor must complete the following" requesting priority/preference to be considered in the award of this contract, the following will need to be submitted by the contractor within ten (10) business days of request:

1. Documentation from the United States Armed Forces confirming service;
2. Documentation of discharge or otherwise separated characterization of honorable or general (under honorable conditions);
3. Disability rating letter issued by the United States Department of Veterans Affairs establishing a service-connected disability or a disability determination from the United States Department of Defense; and
4. Documentation which shows ownership and control of a business or, in the case of a publicly owned business, more than fifty percent of the stock is owned by one or more persons described in subdivision (a) of this subsection; and the management and daily business operations of the business are controlled by one or more persons described in subdivision (a) of this subsection.

Failure to submit the requested documentation within ten (10) business days of notice will disqualify the contractor from consideration of the preference.

P. ORAL INTERVIEWS/PRESENTATIONS AND/OR DEMONSTRATIONS

The State may determine that oral interviews/presentations and/or demonstrations are required. Every contractor may not be given an opportunity to interview/present and/or give demonstrations; the State reserves the right, in its discretion, to select contractors to present/give oral interviews. The evaluations from the oral interviews/presentations and/or demonstrations will be combined with the previous evaluations if there were previous evaluations. The presentation process will allow the contractors to demonstrate their proposal offering, explaining and/or clarifying any unusual or significant elements related to their proposals. Contractors' key personnel, identified in their proposal, may be requested to participate in a structured interview to determine their understanding of the requirements of this proposal, their authority and reporting relationships within their firm, and their management style and philosophy. Only representatives of the State and the presenting contractor will be permitted to attend the oral interviews/presentations and/or demonstrations. A written copy or summary of the presentation, and demonstrative information (such as briefing charts, et cetera) may be offered by the contractor, but the State reserves the right to refuse or not consider the offered materials. Contractors shall not be allowed to alter or amend their proposals.

Once the oral interviews/presentations and/or demonstrations have been completed, the State reserves the right to make an award without any further discussion with the contractors regarding the proposals received.

Any cost incidental to the oral interviews/presentations and/or demonstrations shall be borne entirely by the contractor and will not be compensated by the State.

Q. BEST AND FINAL OFFER

If best and final offers (BAFO) are requested by the State and submitted by the contractor, they will be evaluated (using the stated BAFO criteria) and ranked by the Evaluation Committee. The State reserves the right to conduct more than one BAFO. The award will then be granted to the lowest responsible contractor. However, a contractor should provide its best offer in its original proposal. Contractors should not expect that the State will request a BAFO.

R. REFERENCE AND CREDIT CHECKS

The State reserves the right to conduct and consider reference and credit checks. The State reserves the right to use third parties to conduct reference and credit checks. By submitting a proposal in response to this solicitation, the contractor grants to the State the right to contact or arrange a visit in person with any or all of the contractor's clients. Reference and credit checks may be grounds to reject a proposal, withdraw an intent to award, or rescind the award of a contract.

S. AWARD

The State reserves the right to evaluate proposals and award contracts in a manner utilizing criteria selected at the State's discretion and in the State's best interest. After evaluation of the proposals, or at any point in the solicitation process, the State of Nebraska may take one or more of the following actions:

1. Amend the solicitation;
2. Extend the time of or establish a new proposal opening time;
3. Waive deviations or errors in the State's solicitation process and in contractor proposals that are not material, do not compromise the solicitation process or a contractor's proposal, and do not improve a contractor's competitive position;
4. Accept or reject a portion of or all of a proposal;
5. Accept or reject all proposals;
6. Withdraw the solicitation;
7. Elect to rebid the solicitation;
8. Award single lines or multiple lines to one or more contractors; or,
9. Award one or more all-inclusive contracts.

The State of Nebraska may consider, but is not limited to considering, one or more of the following award criteria:

1. Price;
2. Location;
3. Quality;
4. Delivery time;
5. Contractor qualifications and capabilities;
6. State contract management requirements and/or costs; and,

The solicitation does not commit the State to award a contract. Once intent to award decision has been determined, it will be posted to the Internet at:

<http://das.nebraska.gov/materiel/purchasing.html>

Any protests must be filed by a contractor within ten (10) business days after the intent to award decision is posted to the Internet. Grievance and protest procedure is available on the Internet at:

<http://das.nebraska.gov/materiel/purchasing.html>

T. SPECIFICATIONS

Any manufacturer's names, trade names, brand names, information and/or catalog numbers listed in a specification are for reference and not intended to limit competition, but will be used as the standard by which equivalent material offered will be judged. The Materiel Administrator will be the sole judge of equivalency. The Contractor may offer any brands which meets or exceeds the specification. When a specific product is required, the solicitation will so state. Any item proposal is to be the latest current model under standard production at the time of order. No used or refurbished equipment will be accepted, unless otherwise stated.

U. SAMPLES

When requested, samples should be furnished at the Contractor's expense prior to the opening of the proposal, unless another time is specified. Each sample should be labeled clearly, and identify the Contractor's name, the ITB number, item number, and the brand and model number, if applicable. Samples submitted must be the commodities or equipment which would be delivered if awarded the proposal. The State reserves the right to request samples even though this may not have been set forth in the solicitation. Samples may be destroyed in testing. If a sample is not destroyed in testing and a Contractor wishes to have the sample returned, it will be returned at the Contractor's expense upon request. The sample will not be returned until thirty (30) calendar days after any proposal protest or the execution of a contract. The Contractor shall have ten (10) calendar days to arrange for the return of the sample to the Contractor following any of the above dates. If no request from the Contractor is received within the above dates, the State reserves the right to use, donate, or surplus the samples in accordance with the State's policies.

V. ALTERNATE/EQUIVALENT PROPOSALS

Contractor may offer proposals which are at variance from the express specifications of the solicitation. The State reserves the right to consider and accept such proposals if, in the judgment of the Materiel Administrator, the proposal will result in goods and/or services equivalent to or better than those which would be supplied in the original proposal specifications. Contractor must indicate on the solicitation the manufacturer's name, number and shall submit with their proposal, sketches, descriptive literature and/or complete specifications. Reference to literature submitted with a previous proposal will not satisfy this provision. Proposals which do not comply with these requirements are subject to rejection. In the absence of any stated deviation or exception, the proposal will be accepted as in strict compliance with all terms, conditions and specification, and the Contractor shall be held liable therefore.

W. LUMP SUM OR "ALL OR NONE" PROPOSALS

The State reserves the right to purchase item-by-item, by groups or as a total when the State may benefit by so doing. Contractors may submit a proposal on an "all or none" or "lump sum" basis, but should also submit a proposal on an item-by-item basis. The term "all or none" means a conditional proposal which requires the purchase of all items on which proposals are offered and Contractor declines to accept award on individual items; a "lump sum" proposal is one in which the Contractor offers a lower price than the sum of the individual proposals if all items are purchased, but agrees to deliver individual items at the prices quoted.

X. EMAIL SUBMISSIONS

SPB will not accept proposals by email, electronic, voice, or telephone proposals **except** for one-time purchases under \$50,000.00.

Y. PROPOSAL TABULATIONS

Proposal tabulations are available on the website at: <http://www.das.state.ne.us/materiel/purchasing/bidtabs.htm>.

Z. REJECTION OF PROPOSALS

The State reserves the right to reject any or all proposals, wholly or in part, in the best interest of the State.

AA. RESIDENT BIDDER

Pursuant to Neb. Rev. Stat. §§ 73-101.01 through 73-101.02, a Resident Bidder shall be allowed a preference against a Non-resident Bidder from a state which gives or requires a preference to Bidders from that state. The preference shall be equal to the preference given or required by the state of the Nonresident Bidders. Where the lowest responsible bid from a resident Bidder is equal in all respects to one from a nonresident Bidder from a state which has no preference law, the resident Bidder shall be awarded the contract. The provision of this preference shall not apply to any contract for any project upon which federal funds would be withheld because of the provisions of this preference.

II. TERMS AND CONDITIONS

Contractors should complete Section II through VI as part of their proposal. Contractor is expected to read the Terms and Conditions and must initial either accept, reject, or reject and provide alternative language for each clause. The Contractor should also provide an explanation of why the Contractor rejected the clause or rejected the clause and provided alternate language using "Track Changes". Upon request an electronic copy of the proposal with "Track Changes" must be submitted in an editable Word format. By signing the solicitation, Contractor is agreeing to be legally bound by all the accepted terms and conditions, and any proposed alternative terms and conditions submitted with the proposal. The State reserves the right to negotiate rejected or proposed alternative language. If the State and Contractor fail to agree on the final Terms and Conditions, the State reserves the right to reject the proposal. The State is soliciting proposals in response to the solicitation. The State reserves the right to reject proposals that attempt to substitute the Contractor's commercial contracts and/or documents for this solicitation.

The Contractor should submit with their proposal any license, user agreement, service level agreement, or similar documents that the Contractor wants incorporated in the Contract. Upon notice of Intent to Award, the Contractor must submit a copy of these documents in an editable Word format. The State will not consider incorporation of any document not submitted with the Contractor's proposal. These documents shall be subject to negotiation and will be incorporated as addendums if agreed to by the Parties.

If a conflict or ambiguity arises after the addendums have been negotiated and agreed to, the addendums shall be interpreted as follows:

1. If only one (1) Party's document has a particular clause then that clause shall control;
2. If both Party's documents have a similar clause, but the clauses do not conflict, the clauses shall be read together;
3. If both Party's documents have a similar clause, but the clauses conflict, the State's clause shall control.

A. GENERAL

Accept (Initial)	Reject (Initial)	Reject & Provide Alternative within Solicitation Response (Initial)	NOTES/COMMENTS:
AK			

The contract resulting from this solicitation shall incorporate the following documents:

1. Invitation to Bid and Addenda;
2. Amendments to the solicitation;
3. Questions and Answers;
4. Contractor's proposal response;
5. The executed Contract and any Addenda, if applicable, and properly submitted documents; and,
6. Amendments to the Contract

These documents constitute the entirety of the contract.

Unless otherwise specifically stated in a future contract amendment, in case of any conflict between the incorporated documents, the documents shall govern in the following order of preference with number one (1) receiving preference over all other documents and with each lower numbered document having preference over any higher numbered document: 1) Amendment to the executed Contract with the most recent dated amendment having the highest priority, 2) executed Contract and any attached Addenda, 3) Amendments to solicitation and any Questions and Answers, 4) the original solicitation document and any Addenda, and 5) the Contractor's submitted Proposal.

Any ambiguity or conflict in the contract discovered after its execution, not otherwise addressed herein, shall be resolved in accordance with the rules of contract interpretation as established in the State.

B. NOTIFICATION

Accept (Initial)	Reject (Initial)	Reject & Provide Alternative within Solicitation Response (Initial)	NOTES/COMMENTS:
AK			

Contractor and State shall identify the contract manager who shall serve as the point of contact for the executed contract.

Communications regarding the executed contract shall be in writing and shall be deemed to have been given if delivered personally or mailed, by U.S. Mail, postage prepaid, return receipt requested, to the parties at their respective addresses, or at such other addresses as may be specified in writing by either of the parties. All notices, requests, or communications shall be deemed effective upon personal delivery or five (5) calendar days following deposit in the mail.

Either party may change its address for notification purposes by giving notice of the change, and setting forth the new address and an effective date.

C. NOTICE (POC)

The State reserves the right to appoint a Buyer's Representative to manage [or assist the Buyer in managing] the contract on behalf of the State. The Buyer's Representative will be appointed in writing, and the appointment document will specify the extent of the Buyer's Representative authority and responsibilities. If a Buyer's Representative is appointed, the Contractor will be provided a copy of the appointment document, and is expected to cooperate accordingly with the Buyer's Representative. The Buyer's Representative has no authority to bind the State to a contract, amendment, addendum, or other change or addition to the contract.

D. GOVERNING LAW (Statutory)

Notwithstanding any other provision of this contract, or any amendment or addendum(s) entered into contemporaneously or at a later time, the parties understand and agree that, (1) the State of Nebraska is a sovereign state and its authority to contract is therefore subject to limitation by the State's Constitution, statutes, common law, and regulation; (2) this contract will be interpreted and enforced under the laws of the State of Nebraska; (3) any action to enforce the provisions of this contract must be brought in the State of Nebraska per state law; (4) the person signing this contract on behalf of the State of Nebraska does not have the authority to waive the State's sovereign immunity, statutes, common law, or regulations; (5) the indemnity, limitation of liability, remedy, and other similar provisions of the final contract, if any, are entered into subject to the State's Constitution, statutes, common law, regulations, and sovereign immunity; and, (6) all terms and conditions of the final contract, including but not limited to the clauses concerning third-party use, licenses, warranties, limitations of liability, governing law and venue, usage verification, indemnity, liability, remedy or other similar provisions of the final contract are entered into specifically subject to the State's Constitution, statutes, common law, regulations, and sovereign immunity.

The Parties must comply with all applicable local, state and federal laws, ordinances, rules, orders, and regulations.

E. AMENDMENT

This Contract may be amended in writing, within scope, upon the agreement of both parties.

F. CHANGE ORDERS OR SUBSTITUTIONS

Accept (Initial)	Reject (Initial)	Reject & Provide Alternative within Solicitation Response (Initial)	NOTES/COMMENTS:
AK			

The State and the Contractor, upon the written agreement, may make changes to the contract within the general scope of the solicitation. Changes may involve specifications, the quantity of work, or such other items as the State may find necessary or desirable. Corrections of any deliverable, service, or work required pursuant to the contract shall not be deemed a change. The Contractor may not claim forfeiture of the contract by reasons of such changes.

The Contractor shall prepare a written description of the work required due to the change and an itemized cost sheet for the change. Changes in work and the amount of compensation to be paid to the Contractor shall be determined in accordance with applicable unit prices if any, a pro-rated value, or through negotiations. The State shall not incur a price increase for changes that should have been included in the Contractor's proposal, were foreseeable, or result from difficulties with or failure of the Contractor's proposal or performance.

No change shall be implemented by the Contractor until approved by the State, and the Contract is amended to reflect the change and associated costs, if any. If there is a dispute regarding the cost, but both parties agree that immediate implementation is necessary, the change may be implemented, and cost negotiations may continue with both Parties retaining all remedies under the contract and law.

In the event any product is discontinued or replaced upon mutual consent during the contract period or prior to delivery, the State reserves the right to amend the contract or purchase order to include the alternate product at the same price.

*****Contractor will not substitute any item that has been awarded without prior written approval of SPB*****

G. VENDOR PERFORMANCE REPORT(S)

Accept (Initial)	Reject (Initial)	Reject & Provide Alternative within Solicitation Response (Initial)	NOTES/COMMENTS:
AK			

The State may document any instance(s) of products or services delivered or performed which exceed or fail to meet the terms of the purchase order, contract, and/or solicitation specifications. The State Purchasing Bureau may contact the Vendor regarding any such report. Vendor performance report(s) will become a part of the permanent record of the Vendor.

H. NOTICE OF POTENTIAL CONTRACTOR BREACH

Accept (Initial)	Reject (Initial)	Reject & Provide Alternative within Solicitation Response (Initial)	NOTES/COMMENTS:
AK			

If Contractor breaches the contract or anticipates breaching the contract, the Contractor shall immediately give written notice to the State. The notice shall explain the breach or potential breach, a proposed cure, and may include a request for a waiver of the breach if so desired. The State may, in its discretion, temporarily or permanently waive the breach. By granting a waiver, the State does not forfeit any rights or remedies to which the State is entitled by law or equity, or pursuant to the provisions of the contract. Failure to give immediate notice, however, may be grounds for denial of any request for a waiver of a breach.

I. BREACH

Accept (Initial)	Reject (Initial)	Reject & Provide Alternative within Solicitation Response (Initial)	NOTES/COMMENTS:
AK			

Either Party may terminate the contract, in whole or in part, if the other Party breaches its duty to perform its obligations under the contract in a timely and proper manner. Termination requires written notice of default and a thirty (30) calendar day (or longer at the non-breaching Party's discretion considering the gravity and nature of the default) cure period. Said notice shall be delivered by Certified Mail, Return Receipt Requested, or in person with proof of delivery. Allowing time to cure a failure or breach of contract does not waive the right to immediately terminate the contract for the same or different contract breach which may occur at a different time.

In case of breach by the Contractor, the State may, without unreasonable delay, make a good faith effort to make a reasonable purchase or contract to purchased goods in substitution of those due from the contractor. The State may recover from the Contractor as damages the difference between the costs of covering the breach. Notwithstanding any clause to the contrary, the State may also recover the contract price together with any incidental or consequential damages defined in UCC Section 2-715, but less expenses saved in consequence of Contractor's breach. OR In case of default of the Contractor, the State may contract the service from other sources and hold the Contractor responsible for any excess cost occasioned thereby.

The State's failure to make payment shall not be a breach, and the Contractor shall retain all available statutory remedies. (See Indemnity - Self-Insurance and Payment)

J. NON-WAIVER OF BREACH

Accept (Initial)	Reject (Initial)	Reject & Provide Alternative within Solicitation Response (Initial)	NOTES/COMMENTS:
AK			

The acceptance of late performance with or without objection or reservation by a Party shall not waive any rights of the Party nor constitute a waiver of the requirement of timely performance of any obligations remaining to be performed.

K. SEVERABILITY

Accept (Initial)	Reject (Initial)	Reject & Provide Alternative within Solicitation Response (Initial)	NOTES/COMMENTS:
AK			

If any term or condition of the contract is declared by a court of competent jurisdiction to be illegal or in conflict with any law, the validity of the remaining terms and conditions shall not be affected, and the rights and obligations of the parties shall be construed and enforced as if the contract did not contain the provision held to be invalid or illegal.

L. INDEMNIFICATION

Accept (Initial)	Reject (Initial)	Reject & Provide Alternative within Solicitation Response (Initial)	NOTES/COMMENTS:
AK			

1. GENERAL

The Contractor agrees to defend, indemnify, and hold harmless the State and its employees, volunteers, agents, and its elected and appointed officials ("the indemnified parties") from and against any and all claims, liens, demands, damages, liability, actions, causes of action, losses, judgments, costs, and expenses of every nature, including investigation costs and expenses, settlement costs, and attorney fees and expenses ("the claims"), sustained or asserted against the State for personal injury, death, or property loss or damage, arising out of, resulting from, or attributable to the willful misconduct, negligence, error, or omission of the Contractor, its employees, Subcontractors, consultants, representatives, and agents, resulting from this contract, except to the extent such Contractor liability is attenuated by any action of the State which directly and proximately contributed to the claims.

2. INTELLECTUAL PROPERTY

The Contractor agrees it will, at its sole cost and expense, defend, indemnify, and hold harmless the indemnified parties from and against any and all claims, to the extent such claims arise out of, result from, or are attributable to, the actual or alleged infringement or misappropriation of any patent, copyright, trade secret, trademark, or confidential information of any third party by the Contractor or its employees, Subcontractors, consultants, representatives, and agents; provided, however, the State gives the Contractor prompt notice in writing of the claim. The Contractor may not settle any infringement claim that will affect the State's use of the Licensed Software without the State's prior written consent, which consent may be withheld for any reason.

If a judgment or settlement is obtained or reasonably anticipated against the State's use of any intellectual property for which the Contractor has indemnified the State, the Contractor shall, at the Contractor's sole cost and expense, promptly modify the item or items which were determined to be infringing, acquire a license or licenses on the State's behalf to provide the necessary rights to the State to eliminate the infringement, or provide the State with a non-infringing substitute that provides the State the same functionality. At the State's election, the actual or anticipated judgment may be treated as a breach of warranty by the Contractor, and the State may receive the remedies provided under this solicitation.

3. SELF-INSURANCE (Statutory)

The State is self-insured for any loss and purchases excess insurance coverage pursuant to Neb. Rev. Stat. § 81-8,239.01 (Reissue 2008). If there is a presumed loss under the provisions of this contract, Contractor may file a claim with the Office of Risk Management pursuant to Neb. Rev. Stat. §§ 81-8,829 through 81-8,306 for review by the State Claims Board. The State retains all rights and immunities under the State Miscellaneous (Section 81-8,294), Tort (Section 81-8,209), and Contract Claim Acts (Section 81-8,302), as outlined in Neb. Rev. Stat. § 81-8,209 et seq. and under any other provisions of law and accepts liability under this contract to the extent provided by law.

M. ATTORNEY'S FEES

Accept (Initial)	Reject (Initial)	Reject & Provide Alternative within Solicitation Response (Initial)	NOTES/COMMENTS:
AK			

In the event of any litigation, appeal, or other legal action to enforce any provision of the contract, the Parties agree to pay all expenses of such action, as permitted by law and if ordered by the court, including attorney's fees and costs, if the other party prevails.

N. ASSIGNMENT, SALE, OR MERGER

Accept (Initial)	Reject (Initial)	Reject & Provide Alternative within Solicitation Response (Initial)	NOTES/COMMENTS:
AK			

Either party may assign the contract upon mutual written agreement of the other party. Such agreement shall not be unreasonably withheld.

The Contractor retains the right to enter into a sale, merger, acquisition, internal reorganization, or similar transaction involving Contractor's business. Contractor agrees to cooperate with the State in executing amendments to the contract to allow for the transaction. If a third party or entity is involved in the transaction, the Contractor will remain responsible for performance of the contract until such time as the person or entity involved in the transaction agrees in writing to be contractually bound by this contract and perform all obligations of the contract.

O. CONTRACTING WITH OTHER POLITICAL SUB-DIVISIONS OF THE STATE OR ANOTHER STATE

Accept (Initial)	Reject (Initial)	Reject & Provide Alternative within Solicitation Response (Initial)	NOTES/COMMENTS:
AK			

The Contractor may, but shall not be required to, allow agencies, as defined in Neb. Rev. Stat. § 81-145, to use this contract. The terms and conditions, including price, of the contract may not be amended. The State shall not be contractually obligated or liable for any contract entered into pursuant to this clause.

The Contractor may, but shall not be required to, allow other states, agencies or divisions of other states, or political subdivisions of other states to use this contract. The terms and conditions, including price, of this contract shall apply to any such contract, but may be amended upon mutual consent of the Parties. The State of Nebraska shall not be contractually or otherwise obligated or liable under any contract entered into pursuant to this clause. The State shall be notified if a contract is executed based upon this contract.

P. FORCE MAJEURE

Accept (Initial)	Reject (Initial)	Reject & Provide Alternative within Solicitation Response (Initial)	NOTES/COMMENTS:
AK			

Neither party shall be liable for any costs or damages, or for default resulting from its inability to perform any of its obligations under the contract due to a natural or man-made event outside the control and not the fault of the affected party ("Force Majeure Event"). The Party so affected shall immediately make a written request for relief to the other party, and shall have the burden of proof to justify the request. The other Party may granted the relief requested; relief may not be unreasonably withheld. Labor disputes with the impacted party's own employees will not be considered a Force Majeure Event.

Q. CONFIDENTIALITY

Accept (Initial)	Reject (Initial)	Reject & Provide Alternative within Solicitation Response (Initial)	NOTES/COMMENTS:
AK			

All materials and information provided by the Parties or acquired by a Party on behalf of the other Party shall be regarded as confidential information. All materials and information provided or acquired shall be handled in accordance with federal and state law, and ethical standards. Should said confidentiality be breached by a Party, the Party shall notify the other Party immediately of said breach and take immediate corrective action.

It is incumbent upon the Parties to inform their officers and employees of the penalties for improper disclosure imposed by the Privacy Act of 1974, 5 U.S.C. 552a. Specifically, 5 U.S.C. 552a (i)(1), which is made applicable by 5 U.S.C. 552a (m)(1), provides that any officer or employee, who by virtue of his/her employment or official position has possession of or access to agency records which contain individually identifiable information, the disclosure of which is prohibited by the Privacy Act or regulations established thereunder, and who knowing that disclosure of the specific material is prohibited, willfully discloses the material in any manner to any person or agency not entitled to receive it, shall be guilty of a misdemeanor and fined not more than \$5,000.

R. EARLY TERMINATION

Accept (Initial)	Reject (Initial)	Reject & Provide Alternative within Solicitation Response (Initial)	NOTES/COMMENTS:
AK			

The contract may be terminated as follows:

1. The State and the Contractor, by mutual written agreement, may terminate the contract at any time.
2. The State, at its sole discretion, may terminate the contract for any reason upon thirty (30) calendar day's written notice to the Contractor. Such termination shall not relieve the Contractor of warranty or other service obligations incurred under the terms of the contract. In the event of termination the Contractor shall be entitled to payment, determined on a pro rata basis, for products or services satisfactorily performed or provided.
3. The State may terminate the contract immediately for the following reasons:
 - a. if directed to do so by statute;
 - b. Contractor has made an assignment for the benefit of creditors, has admitted in writing its inability to pay debts as they mature, or has ceased operating in the normal course of business;
 - c. a trustee or receiver of the Contractor or of any substantial part of the Contractor's assets has been appointed by a court;
 - d. fraud, misappropriation, embezzlement, malfeasance, misfeasance, or illegal conduct pertaining to performance under the contract by its Contractor, its employees, officers, directors, or shareholders;
 - e. an involuntary proceeding has been commenced by any party against the Contractor under any one of the chapters of Title 11 of the United States Code and (i) the proceeding has been pending for at least sixty (60) calendar days; or (ii) the Contractor has consented, either expressly or by operation of law, to the entry of an order for relief; or (iii) the Contractor has been decreed or adjudged a debtor;
 - f. a voluntary petition has been filed by the Contractor under any of the chapters of Title 11 of the United States Code;
 - g. Contractor intentionally discloses confidential information;
 - h. Contractor has or announces it will discontinue support of the deliverable; and,
 - i. In the event funding is no longer available.

S. CONTRACT CLOSEOUT

Accept (Initial)	Reject (Initial)	Reject & Provide Alternative within Solicitation Response (Initial)	NOTES/COMMENTS:
AK			

Upon termination of the contract for any reason the Contractor shall within thirty (30) days, unless stated otherwise herein:

1. Transfer all completed or partially completed deliverables to the State;
2. Transfer ownership and title to all completed or partially completed deliverables to the State;
3. Return to the State all information and data, unless the Contractor is permitted to keep the information or data by contract or rule of law. Contractor may retain one copy of any information or data as required to comply with applicable work product documentation standards or as are automatically retained in the course of Contractor's routine back up procedures;
4. Cooperate with any successor contractor, person or entity in the assumption of any or all of the obligations of this contract;
5. Cooperate with any successor contractor, person or entity with the transfer of information or data related to this contract;
6. Return or vacate any state owned real or personal property; and,
7. Return all data in a mutually acceptable format and manner.

Nothing in this Section should be construed to require the Contractor to surrender intellectual property, real or person property, or information or data owned by the Contractor for which the State has no legal claim.

III. CONTRACTOR DUTIES

A. INDEPENDENT CONTRACTOR / OBLIGATIONS

Accept (Initial)	Reject (Initial)	Reject & Provide Alternative within Solicitation Response (Initial)	NOTES/COMMENTS:
AK			

It is agreed that the Contractor is an independent contractor and that nothing contained herein is intended or should be construed as creating or establishing a relationship of employment, agency, or a partnership.

The Contractor is solely responsible for fulfilling the contract. The Contractor or the Contractor's representative shall be the sole point of contact regarding all contractual matters.

The Contractor shall secure, at its own expense, all personnel required to perform the services under the contract. The personnel the Contractor uses to fulfill the contract shall have no contractual or other legal relationship with the State; they shall not be considered employees of the State and shall not be entitled to any compensation, rights or benefits from the State, including but not limited to, tenure rights, medical and hospital care, sick and vacation leave, severance pay, or retirement benefits.

By-name personnel commitments made in the Contractor's proposal shall not be changed without the prior written approval of the State. Replacement of these personnel, if approved by the State, shall be with personnel of equal or greater ability and qualifications.

The Contractor warrants that all persons assigned to the project shall be employees of the Contractor or a Subcontractor, and shall be fully qualified to perform the work required herein. Personnel employed by the Contractor or a subcontractor to fulfill the terms of the contract shall remain under the sole direction and control of the Contractor or the subcontractor respectively.

With respect to its employees, the Contractor agrees to be solely responsible for the following:

1. Any and all pay, benefits, and employment taxes and/or other payroll withholding;
2. Any and all vehicles used by the Contractor's employees, including all insurance required by state law;
3. Damages incurred by Contractor's employees within the scope of their duties under the contract;
4. Maintaining Workers' Compensation and health insurance that complies with state and federal law and submitting any reports on such insurance to the extent required by governing law;
5. Determining the hours to be worked and the duties to be performed by the Contractor's employees; and,
6. All claims on behalf of any person arising out of employment or alleged employment (including without limit claims of discrimination alleged against the Contractor, its officers, agents, or subcontractors or subcontractor's employees).

If the Contractor intends to utilize any subcontractor, the Subcontractor's level of effort, tasks, and time allocation must be clearly defined in the Contractor's proposal. The Contractor shall agree that it will not utilize any Subcontractors not specifically included in its proposal in the performance of the contract without the prior written authorization of the State.

The State reserves the right to require the Contractor to reassign or remove from the project any Contractor or Subcontractor employee.

Contractor shall insure that the terms and conditions contained in any contract with a sub-contractor does not conflict with the terms and conditions of this contract.

The Contractor shall include a similar provision, for the protection of the State, in the contract with any Subcontractor engaged to perform work on this contract.

B. EMPLOYEE WORK ELIGIBILITY STATUS

The Contractor is required and hereby agrees to use a federal immigration verification system to determine the work eligibility status of employees physically performing work within the State. A federal immigration verification system means the electronic verification of the work authorization program authorized by the Illegal Immigration Reform and Immigrant Responsibility Act of 1996, 8 U.S.C. 1324a, known as the E-Verify Program, or an equivalent federal program designated by the United States Department of Homeland Security or other federal agency authorized to verify the work eligibility status of an employee.

If the Contractor is an individual or sole proprietorship, the following applies:

1. The Contractor must complete the United States Citizenship Attestation Form, available on the DAS website at <http://das.nebraska.gov/materiel/purchasing.html>

The completed United States Attestation Form should be submitted with the solicitation response.

2. If the Contractor indicates on such attestation form that he or she is a qualified alien, the Contractor agrees to provide the U.S. Citizenship and Immigration Services documentation required to verify the Contractor's lawful presence in the United States using the Systematic Alien Verification for Entitlements (SAVE) Program.
3. The Contractor understands and agrees that lawful presence in the United States is required and the Contractor may be disqualified or the contract terminated if such lawful presence cannot be verified as required by Neb. Rev. Stat. § 4-108.

C. COMPLIANCE WITH CIVIL RIGHTS LAWS AND EQUAL OPPORTUNITY EMPLOYMENT / NONDISCRIMINATION (Statutory)

The Contractor shall comply with all applicable local, state, and federal statutes and regulations regarding civil rights laws and equal opportunity employment. The Nebraska Fair Employment Practice Act prohibits Contractors of the State, and their Subcontractors, from discriminating against any employee or applicant for employment, with respect to hire, tenure, terms, conditions, compensation, or privileges of employment because of race, color, religion, sex, disability, marital status, or national origin (Neb. Rev. Stat. §§ 48-1101 through 48-1125). The Contractor guarantees compliance with the Nebraska Fair Employment Practice Act, and breach of this provision shall be regarded as a material breach of contract. The Contractor shall insert a similar provision in all Subcontracts for goods or services to be covered by any contract resulting from this solicitation.

D. COOPERATION WITH OTHER CONTRACTORS

Accept (Initial)	Reject (Initial)	Reject & Provide Alternative within Solicitation Response (Initial)	NOTES/COMMENTS:
AK			

Contractor may be required to work with or in close proximity to other contractors or individuals that may be working on the same or different projects. The Contractor shall agree to cooperate with such other contractors or individuals, and shall not commit or permit any act which may interfere with the performance of work by any other contractor or individual. Contractor is not required to compromise Contractor's intellectual property or proprietary information unless expressly required to do so by this contract.

E. DISCOUNTS

Prices quoted shall be inclusive of ALL trade discounts. Cash discount terms of less than thirty (30) days will not be considered as part of the proposal. Cash discount periods will be computed from the date of receipt of a properly executed claim voucher or the date of completion of delivery of all items in a satisfactory condition, whichever is later.

F. PRICES

Prices quoted shall be net, including transportation and delivery charges fully prepaid by the contractor, F.O.B. destination named in the solicitation. No additional charges will be allowed for packing, packages, or partial delivery costs. When an arithmetic error has been made in the extended total, the unit price will govern.

Prices submitted on the cost proposal form shall remain fixed for the first one hundred and eighty (180) days of the contract. Any request for a price increase subsequent to the first initial one hundred and eighty (180) days shall be submitted in writing. Increases shall not be cumulative and will only apply to that period of the contract. Requests for an increase must be submitted in writing to the State Purchasing Bureau a minimum of 120 days prior to the end of the current contract period. Documentation may be required by the State to support the price increase.

The State reserves the right to deny any requested price increase. No price increases are to be billed to any State Agencies prior to written amendment of the contract by the parties.

The State will be given full proportionate benefit of any decreases for the term of the contract.

G. COST CLARIFICATION

The State reserves the right to review all aspects of cost for reasonableness and to request clarification of any proposal where the cost component shows significant and unsupported deviation from industry standards or in areas where detailed pricing is required.

H. PERMITS, REGULATIONS, LAWS

Accept (Initial)	Reject (Initial)	Reject & Provide Alternative within Solicitation Response (Initial)	NOTES/COMMENTS:
AK			

The contract price shall include the cost of all royalties, licenses, permits, and approvals, whether arising from patents, trademarks, copyrights or otherwise, that are in any way involved in the contract. The Contractor shall obtain and pay for all royalties, licenses, and permits, and approvals necessary for the performance of the contract. The Contractor must guarantee that it has the full legal right to the materials, supplies, equipment, software, and other items used to execute this contract.

I. OWNERSHIP OF INFORMATION AND DATA / DELIVERABLES

Accept (Initial)	Reject (Initial)	Reject & Provide Alternative within Solicitation Response (Initial)	NOTES/COMMENTS:
AK			

The State shall have the unlimited right to publish, duplicate, use, and disclose all information and data developed or obtained by the Contractor on behalf of the State pursuant to this contract.

The State shall own and hold exclusive title to any deliverable developed as a result of this contract. Contractor shall have no ownership interest or title, and shall not patent, license, or copyright, duplicate, transfer, sell, or exchange, the design, specifications, concept, or deliverable.

J. INSURANCE REQUIREMENTS

Accept (Initial)	Reject (Initial)	Reject & Provide Alternative within Solicitation Response (Initial)	NOTES/COMMENTS:
AK			

The Contractor shall throughout the term of the contract maintain insurance as specified herein and provide the State a current Certificate of Insurance/Accord Form (COI) verifying the coverage. The Contractor shall not commence work on the contract until the insurance is in place. If Contractor subcontracts any portion of the Contract the Contractor must, throughout the term of the contract, either:

1. Provide equivalent insurance for each subcontractor and provide a COI verifying the coverage for the subcontractor;
2. Require each subcontractor to have equivalent insurance and provide written notice to the State that the Contractor has verified that each subcontractor has the required coverage; or,
3. Provide the State with copies of each subcontractor's Certificate of Insurance evidencing the required coverage.

The Contractor shall not allow any Subcontractor to commence work until the Subcontractor has equivalent insurance. The failure of the State to require a COI, or the failure of the Contractor to provide a COI or require subcontractor insurance shall not limit, relieve, or decrease the liability of the Contractor hereunder.

In the event that any policy written on a claims-made basis terminates or is canceled during the term of the contract or within five (5) years of termination or expiration of the contract, the contractor shall obtain an extended discovery or reporting period, or a new insurance policy, providing coverage required by this contract for the term of the contract and five (5) years following termination or expiration of the contract.

If by the terms of any insurance a mandatory deductible is required, or if the Contractor elects to increase the mandatory deductible amount, the Contractor shall be responsible for payment of the amount of the deductible in the event of a paid claim.

Notwithstanding any other clause in this Contract, the State may recover up to the liability limits of the insurance policies required herein.

1. WORKERS' COMPENSATION INSURANCE

The Contractor shall take out and maintain during the life of this contract the statutory Workers' Compensation and Employer's Liability Insurance for all of the contractors' employees to be engaged in work on the project under this contract and, in case any such work is sublet, the Contractor shall require the Subcontractor similarly to provide Worker's Compensation and Employer's Liability Insurance for all of the Subcontractor's employees to be engaged in such work. This policy shall be written to meet the statutory requirements for the state in which the work is to be performed, including Occupational Disease. **The policy shall include a waiver of subrogation in favor of the State. The COI shall contain the mandatory COI subrogation waiver language found hereinafter.** The amounts of such insurance shall not be less than the limits stated hereinafter. For employees working in the State, the policy must be written by an entity authorized by the State of Nebraska Department of Insurance to write Workers' Compensation and Employer's Liability Insurance for Nebraska employees.

2. COMMERCIAL GENERAL LIABILITY INSURANCE AND COMMERCIAL AUTOMOBILE LIABILITY INSURANCE

The Contractor shall take out and maintain during the life of this contract such Commercial General Liability Insurance and Commercial Automobile Liability Insurance as shall protect Contractor and any Subcontractor performing work covered by this contract from claims for damages for bodily injury, including death, as well as from claims for property damage, which may arise from operations under this contract, whether such operation be by the Contractor or by any Subcontractor or by anyone directly or indirectly employed by either of them, and the amounts of such insurance shall not be less than limits stated hereinafter.

The Commercial General Liability Insurance shall be written on an **occurrence basis**, and provide Premises/Operations, Products/Completed Operations, Independent Contractors, Personal Injury, and Contractual Liability coverage. **The policy shall include the State, and others as required by the contract documents, as Additional Insured(s). This policy shall be primary, and any insurance or self-insurance carried by the State shall be considered secondary and non-contributory. The COI shall contain the mandatory COI liability waiver language found hereinafter.** The Commercial Automobile Liability Insurance shall be written to cover all Owned, Non-owned, and Hired vehicles.

REQUIRED INSURANCE		
BUILDERS RISK		
All Risk Insurance – Cost of the Job including Soft Costs		
COMMERCIAL GENERAL LIABILITY		
General Aggregate		\$2,000,000
Products/Completed Operations Aggregate		\$2,000,000
Personal/Advertising Injury		\$1,000,000 per occurrence
WORKER'S COMPENSATION		
Employers Liability Limits		\$500K/\$500K/\$500K
Statutory Limits- All States		Statutory - State of Nebraska
USL&H Endorsement		Statutory
Voluntary Compensation		Statutory
UMBRELLA/EXCESS LIABILITY		
Over Primary Insurance		\$5,000,000 per occurrence
MANDATORY COI SUBROGATION WAIVER LANGUAGE		
"Workers' Compensation policy shall include a waiver of subrogation in favor of the State of Nebraska."		
MANDATORY COI LIABILITY WAIVER LANGUAGE		
"Commercial General Liability & Commercial Automobile Liability policies shall be primary and any insurance or self-insurance carried by the State shall be considered secondary and non-contributory. State of Nebraska shall be included as additionally insured."		

3. EVIDENCE OF COVERAGE

The Contractor should furnish the State, prior to beginning work and upon, a certificate of insurance coverage complying with the above requirements to the attention of:

Agency: Buffy Meyer
 Attention: Buyer
 1526 K Street Suite 130
 Lincoln NE 68508

These certificates or the cover sheet shall reference the ITB number, and the certificates shall include the name of the company, policy numbers, effective dates, dates of expiration, and amounts and types of coverage afforded. If the State is damaged by the failure of the Contractor to maintain such insurance, then the Contractor shall be responsible for all reasonable costs properly attributable thereto.

Reasonable notice of cancellation of any required insurance policy must be submitted to contract manager when issued and a new coverage binder shall be submitted immediately to ensure no break in coverage.

4. DEVIATIONS

The insurance requirements are subject to limited negotiation. Negotiation typically includes, but is not necessarily limited to, the correct type of coverage, necessity for Workers' Compensation, and the type of automobile coverage carried by the Contractor.

K. NOTICE OF POTENTIAL CONTRACTOR BREACH

Accept (Initial)	Reject (Initial)	Reject & Provide Alternative within Solicitation Response (Initial)	NOTES/COMMENTS:
AK			

If Contractor breaches the contract or anticipates breaching the contract the Contractor shall immediately give written notice to the State. The notice shall explain the breach or potential breach, and may include a request for a waiver of the breach if so desired. The State may, at its discretion, temporarily or permanently waive the breach. By granting a temporary waiver, the State does not forfeit any rights or remedies to which the State is entitled by law or equity, or pursuant to the provisions of the contract. Failure to give immediate notice, however, may be grounds for denial of any request for a waiver of a breach.

L. ANTITRUST

Accept (Initial)	Reject (Initial)	Reject & Provide Alternative within Solicitation Response (Initial)	NOTES/COMMENTS:
AK			

The Contractor hereby assigns to the State any and all claims for overcharges as to goods and/or services provided in connection with this contract resulting from antitrust violations which arise under antitrust laws of the United States and the antitrust laws of the State.

M. CONFLICT OF INTEREST

Accept (Initial)	Reject (Initial)	Reject & Provide Alternative within Solicitation Response (Initial)	NOTES/COMMENTS:
AK			

By submitting a proposal, bidder certifies that no relationship exists between the bidder and any person or entity which either is, or gives the appearance of, a conflict of interest related to this Request for Proposal or project.

Bidder further certifies that bidder will not employ any individual known by bidder to have a conflict of interest nor shall bidder take any action or acquire any interest, either directly or indirectly, which will conflict in any manner or degree with the performance of its contractual obligations hereunder or which creates an actual or appearance of conflict of interest.

If there is an actual or perceived conflict of interest, bidder shall provide with its proposal a full disclosure of the facts describing such actual or perceived conflict of interest and a proposed mitigation plan for consideration. The State will then consider such disclosure and proposed mitigation plan and either approve or reject as part of the overall bid evaluation.

N. STATE PROPERTY

Accept (Initial)	Reject (Initial)	Reject & Provide Alternative within Solicitation Response (Initial)	NOTES/COMMENTS:
AK			

The Contractor shall be responsible for the proper care and custody of any State-owned property which is furnished for the Contractor's use during the performance of the contract. The Contractor shall reimburse the State for any loss or damage of such property; normal wear and tear is expected.

O. SITE RULES AND REGULATIONS

Accept (Initial)	Reject (Initial)	Reject & Provide Alternative within Solicitation Response (Initial)	NOTES/COMMENTS:
AK			

The Contractor shall use its best efforts to ensure that its employees, agents, and Subcontractors comply with site rules and regulations while on State premises. If the Contractor must perform on-site work outside of the daily operational hours set forth by the State, it must make arrangements with the State to ensure access to the facility and the equipment has been arranged. No additional payment will be made by the State on the basis of lack of access, unless the State fails to provide access as agreed to in writing between the State and the Contractor.

P. ADVERTISING

Accept (Initial)	Reject (Initial)	Reject & Provide Alternative within Solicitation Response (Initial)	NOTES/COMMENTS:
AK			

The Contractor agrees not to refer to the contract award in advertising in such a manner as to state or imply that the company or its goods and services are endorsed or preferred by the State. Any publicity releases pertaining to the project shall not be issued without prior written approval from the State.

Q. NEBRASKA TECHNOLOGY ACCESS STANDARDS (Statutory)

Contractor shall review the Nebraska Technology Access Standards, found at <http://nitc.nebraska.gov/standards/2-201.htm> and ensure that products and/or goods provided under the contract are in compliance or will comply with the applicable standards to the greatest degree possible. In the event such standards change during the Contractor's performance, the State may create an amendment to the contract to request the contract comply with the changed standard at a cost mutually acceptable to the parties.

R. DISASTER RECOVERY/BACK UP PLAN

Accept (Initial)	Reject (Initial)	Reject & Provide Alternative within Solicitation Response (Initial)	NOTES/COMMENTS:
AK			

The Contractor shall have a disaster recovery and back-up plan, of which a copy should be provided upon request to the State, which includes, but is not limited to equipment, personnel, facilities, and transportation, in order to continue delivery of goods and services as specified under the specifications in the contract in the event of a disaster.

S. DRUG POLICY

Accept (Initial)	Reject (Initial)	Reject & Provide Alternative within Solicitation Response (Initial)	NOTES/COMMENTS:
AK			

Contractor certifies it maintains a drug free work place environment to ensure worker safety and workplace integrity. Contractor agrees to provide a copy of its drug free workplace policy at any time upon request by the State.

T. WARRANTY

Accept (Initial)	Reject (Initial)	Reject & Provide Alternative within Solicitation Response (Initial)	NOTES/COMMENTS:
AK			

Despite any clause to the contrary, the Contractor represents and warrants that its services hereunder shall be performed by competent personnel and shall be of professional quality consistent with generally accepted industry standards for the performance of such services and shall comply in all respects with the requirements of this Contract. For any breach of this warranty, the Contractor shall, for a period of ninety (90) days from performance of the service, perform the services again, at no cost to Customer, or if Contractor is unable to perform the services as warranted, Contractor shall reimburse Customer the fees paid to Contractor for the unsatisfactory services. The rights and remedies of the parties under this warranty are in addition to any other rights and remedies of the parties provided by law or equity, including, without limitation actual damages, and, as applicable and awarded under the law, to a prevailing party, reasonable attorneys' fees and costs.

IV. PAYMENT

A. PROHIBITION AGAINST ADVANCE PAYMENT (Statutory)

Neb. Rev. Stat. §§81-2403 states, "[n]o goods or services shall be deemed to be received by an agency until all such goods or services are completely delivered and finally accepted by the agency."

B. TAXES (Statutory)

The State is not required to pay taxes and assumes no such liability as a result of this solicitation. The Contractor may request a copy of the Nebraska Department of Revenue, Nebraska Resale or Exempt Sale Certificate for Sales Tax Exemption, Form 13 for their records. Any property tax payable on the Contractor's equipment which may be installed in a state-owned facility is the responsibility of the Contractor.

C. INVOICES

Invoices for payments must be submitted by the Contractor to the agency requesting the services with sufficient detail to support payment. The terms and conditions included in the Contractor's invoice shall be deemed to be solely for the convenience of the parties. No terms or conditions of any such invoice shall be binding upon the State, and no action by the State, including without limitation the payment of any such invoice in whole or in part, shall be construed as binding or estopping the State with respect to any such term or condition, unless the invoice term or condition has been previously agreed to by the State as an amendment to the contract.

D. INSPECTION AND APPROVAL

Accept (Initial)	Reject (Initial)	Reject & Provide Alternative within Solicitation Response (Initial)	NOTES/COMMENTS:
AK			

Final inspection and approval of all work required under the contract shall be performed by the designated State officials.

The State and/or its authorized representatives shall have the right to enter any premises where the Contractor or Subcontractor duties under the contract are being performed, and to inspect, monitor or otherwise evaluate the work being performed. All inspections and evaluations shall be at reasonable times and in a manner that will not unreasonably delay work.

E. PAYMENT (Statutory)

Payment will be made by the responsible agency in compliance with the State of Nebraska Prompt Payment Act (See Neb. Rev. Stat. §81-2403). The State may require the Contractor to accept payment by electronic means such as ACH deposit. In no event shall the State be responsible or liable to pay for any goods and services provided by the Contractor prior to the Effective Date of the contract, and the Contractor hereby waives any claim or cause of action for any such services.

F. LATE PAYMENT (Statutory)

The Contractor may charge the responsible agency interest for late payment in compliance with the State of Nebraska Prompt Payment Act (See Neb. Rev. Stat. §§ 81-2401 through 81-2408).

G. SUBJECT TO FUNDING / FUNDING OUT CLAUSE FOR LOSS OF APPROPRIATIONS (Statutory)

The State's obligation to pay amounts due on the Contract for a fiscal years following the current fiscal year is contingent upon legislative appropriation of funds. Should said funds not be appropriated, the State may terminate the contract with respect to those payments for the fiscal year(s) for which such funds are not appropriated. The State will give the Contractor written notice thirty (30) calendar days prior to the effective date of termination. All obligations of the State to make payments after the termination date will cease. The Contractor shall be entitled to receive just and equitable compensation for any authorized work which has been satisfactorily completed as of the termination date. In no event shall the Contractor be paid for a loss of anticipated profit.

H. RIGHT TO AUDIT (First Paragraph is Statutory)

The State shall have the right to audit the Contractor's performance of this contract upon a thirty (30) day written notice. Contractor shall utilize generally accepted accounting principles, and shall maintain the accounting records, and other records and information relevant to the contract (Information) to enable the State to audit the contract. (Neb. Rev. Stat. § 84-304 et seq.) The State may audit and the Contractor shall maintain the information during the term of the contract and for a period of five (5) years after the completion of this contract or until all issues or litigation are resolved, whichever is later. The Contractor shall make the Information available to the State at Contractor's place of business or a location acceptable to both Parties during normal business hours. If this is not practical or the Contractor so elects, the Contractor may provide electronic or paper copies of the Information. The State reserves the right to examine, make copies of, and take notes on any Information relevant to this contract, regardless of the form or the Information, how it is stored, or who possesses the Information. In no circumstances will contractor be required to create or maintain documents not kept in the ordinary course of contractor's business operations, nor will contractor be required to disclose any information, including but not limited to product cost data, which is confidential or proprietary to contractor.

Accept (Initial)	Reject (Initial)	Reject & Provide Alternative within Solicitation Response (Initial)	NOTES/COMMENTS:
AK			

The Parties shall pay their own costs of the audit unless the audit finds a previously undisclosed overpayment by the State. If a previously undisclosed overpayment exceeds one-half of one percent (.5%) of the total contract billings, or if fraud, material misrepresentations, or non-performance is discovered on the part of the Contractor, the Contractor shall reimburse the State for the total costs of the audit. Overpayments and audit costs owed to the State shall be paid within ninety (90) days of written notice of the claim. The Contractor agrees to correct any material weaknesses or condition found as a result of the audit.

V. SCOPE OF WORK

The Contractor must provide the following information in response to this solicitation.

A. SCOPE

It is the intent of this proposal invitation to establish a contract to supply Solar Powered Trailer Mounted Arrow Board per the attached specifications from date of award for a period of One (1) years with the option to renew for an additional Four (4) one (1) year periods when mutually agreeable to the contractor and the State. The State reserves the right to extend the period of this contract beyond the end date when mutually agreeable to the contractor and the State.

VI. TECHNICAL SPECIFICATIONS

A. CONTRACTOR INSTRUCTIONS

Contractor must respond to each of the following statements. Specifications listed are minimum conditions that must be met in order for a Contractor to qualify for the award.

“YES” response means the Contractor guarantees they can meet this condition.

“NO” response means the Contractor cannot meet this condition and will not be considered.

“NO & PROVIDE ALTERNATIVE” responses should be used only with a narrative response in the NOTES/COMMENTS section explaining in detail any deviation from the Contractor’s ability to meet the condition, and an explanation of how this would be determined to be an acceptable alternative to meeting the condition. Alternatives must be detailed in such a way that allows such deviations to be fully evaluated. The State shall determine at its sole discretion whether or not the Contractor’s alternative is an acceptable alternative.

B. NON-COMPLIANCE STATEMENT

YES	NO	NO & PROVIDE ALTERNATIVE	
X			1. Read these specifications carefully. Any and all exceptions to these specifications must be written on or attached to solicitation response. Any noncompliance may void your proposal. Non-compliance to any single specification can void your proposal.
X			2. It is the responsibility of Contractors to obtain information and clarifications as provided below. The State is not responsible for any erroneous or incomplete understandings or wrongful interpretations of this solicitation by any Contractor.
X			3. No interpretation related to the meaning of solicitation specifications or other pre-proposal documents will be made orally to any Contractor by the State. Any solicitation interpretation must be put in writing by the Contractor to: the State Purchasing Bureau, E-mail questions to SPB. as.materielpurchasing@nebraska.gov by the last day to submit written questions per the Schedule of Events. (Inquiries received after the last day to submit written questions may not be addressed).
NOTES/COMMENTS:			

C. TECHNICAL SPECIFICATIONS: TRAILER

YES	NO	NO & PROVIDE ALTERNATIVE	
X			1. The trailer shall be self-contained and self-supporting and may be set up and operated by one (1) person without the use of additional equipment or tools.
X			2. The trailer shall include a single axle and suspension system including automotive type roller bearings, hubs and wheels appropriate for highway speed towing and machine size and weight.
X			3. Rim size to be a minimum of 15 inches.
			A. Tires to be tubeless type by Firestone, Goodyear, BF Goodrich, General, Uniroyal, Bridgestone or Michelin and shall carry said company name. Please state brand: _____
X			B. Agricultural or "Trailer Special" tires are not acceptable.
		X	C. Full steel fenders to be furnished.
X			4. Ball hitch of two (2) inch size that is height adjustable from approximately 18 to 30 inches required.
X			A. Two safety chains that will meet the requirements of the trailer shall be provided.
X			B. The hitch assembly shall be easily removable to prevent unauthorized towing of the trailer.
		X	5. Tongue shall be A-frame type or reinforced to main frame with angled braces of adequate strength, preferably of same material as tongue or main frame.
X			6. The trailer shall be equipped with four (4) adjustable jack stands or outrigger leveling pads, one (1) mounted on each corner of the unit.
X			7. The trailer shall have a minimum of 2000-pound capacity swivel screw-type tongue jack.
X			8. The trailer shall be equipped with all necessary DOT required reflectors and marker lights/stop-tail light assemblies.
X			A. 7 blade RV electrical connector unit to be furnished.
<p>NOTES/COMMENTS: 3c - RUGGEDIZED PLASTIC FENDERS 5. - REMOVABLE STEEL TONGUE</p>			

D. TECHNICAL SPECIFICATION: GENERAL

YES	NO	NO & PROVIDE ALTERNATIVE	
X			1. Arrow board to be an all-weather, self-contained battery/solar power system.
X			A. The arrow board assembly and all electrical systems shall be capable of operation in all modes within ambient temperature ranges of 20 degrees Fahrenheit to 140 degrees Fahrenheit.
X			B. The controller shall not be affected by mobile radio, telephone or other radio frequency transmissions.
X			C. Board must meet or exceed the requirements of the Federal Manual of Uniform Traffic Control Devices (MUTCD)
X			2. The sign panel shall be approximately 48 inches x 96 inches in size.
X			3. Minimum height of seven (7) feet from roadway to bottom of arrow board in operating position is required. Please state height <u>7 FEET</u>
X			4. The panel shall consist of 25 lamps.
X			A. There shall be 360 degree black hooded visors on each directional lamp.
		X	B. Lamps shall be PAR46 in size and each lamp shall consist on a matrix of a minimum 24 LED's on a printed circuit board.
X			C. The lamps shall meet the one (1) mile visibility specification at angle fifteen (15) degrees to the right or left of center with a twenty-four (24) degree horizontal by eight (8) degree vertical beam spread.
X		Type text here	D. The lamps shall carry a five (5) year warranty against defects in material and/or workmanship from the manufacturer.
X			5. Trailer must be able to operate when being towed at low speeds or in a stationary position.
			6. The arrow board must provide the following modes as a minimum:
X			A. Five (5) lamp, three (3) section sequential chevron to right and to left.
X			B. Flashing arrow to both right and left (double arrow) for a "pass either side" mode. This shall mean the arrow is lighted on both ends of a solid center bar directing traffic to either side.
X			C. Flashing arrow to the left or to the right directing traffic to one side or the other, but not to both sides at the same time.
X			D. First caution mode shall be the two outside diamonds flashing alternately.
X			E. Second caution mode shall be the four corner lamps flash simultaneously.
X			F. Arrow boards offering additional modes will be desirable and acceptable.
X			7. Indicator lamp on back of sign that warning board in "on" is preferred.
		X	8. Board to fold to horizontal position for storage or travel.
X			9. Either worm gear or cable winch with safety brake clutch must be provided to elevate panel.
X			10. Locks are required to lock the panel in the upright and folded down positions, Straps or tie down systems are not acceptable.
NOTES/COMMENTS: 4B - PAR 40 LAMPS (PLEASE SEE ATTACHED EXCEPTION LETTER) 8. - VERTICAL MAST (PLEASE SEE ATTACHED EXCEPTION LETTER)			

E. TECHNICAL SPECIFICATION: CONTROLLER

YES	NO	NO & PROVIDE ALTERNATIVE	
X			1. The controller shall be housed to provide weather and dust protection.
X			2. The controller shall include a lockable cover to prevent unauthorized operation.
X			3. The controller shall include a reverse polarity protection.
X			4. The controller shall include an automatic brightness adjustment for day and night operation capable of a minimum of 50 percent dimming.
X			A. The dimming function shall be automatically variable relative to ambient light levels.
X			5. The controller shall provide a flashing lamp rate of no less than twenty-five (25) and not more than forty (40) flashes per minute.
	X		6. The controller shall maintain a minimum lamp "on time" of twenty-five percent (25%) of the cycle.
NOTES/COMMENTS:			

F. TECHNICAL SPECIFICATION: SOLAR POWER AND BATTERY BANK

YES	NO	NO & PROVIDE ALTERNATIVE	
X			1. The unit shall be capable of autonomous (no-sun) operation in a single flashing arrow mode with fully charged batteries for a period of not less than 30 days.
X			2. A battery charger is used to provide in house or off site charging of the battery bank.
X			A. Upper end float regulation will prevent overcharging by the solar panel and the on-board charger.
X			3. An automatic low voltage disconnect circuit shall be provided to monitor the battery charge level and protect batteries from over discharging.
	X		4. An easily visible warning lamp shall be provided on the sign panel to warn the operator of low battery voltage and possible display shutdown.
X			5. The battery bank, controller, and solar array shall be protected from the elements, vandalism and rodents.
X			A. The battery bank shall be protected by a lockable cover.
X			6. The battery bank shall be sufficient to supply the power needed for the above mentioned duration (in 4A) of 30 days. All batteries must be approved by the battery manufacturer for solar applications.
X			7. All batteries must be approved by the battery manufacturer for solar applications.
X			8. Solar panels should be of sufficient capacity to operate this sign twelve (12) months of the year in the State of Nebraska without requiring the user to manually recharge the batteries.
NOTES/COMMENTS: 4. NO WARNING LAMP			

G. TECHNICAL SPECIFICATION: MANUALS

YES	NO	NO & PROVIDE ALTERNATIVE	
X			1. One (1) complete set of operation manuals shall be supplied at delivery for each unit supplied.
X			2. One (1) complete set of equipment shop repair manuals shall be supplied at delivery for each unit supplied.
X			3. One (1) complete set of equipment parts manuals shall be supplied at delivery for each unit supplied.
X			4. All manuals must be delivered to Fleet Management Equipment Data Coordinator and received prior to payment. Failure to deliver all manuals that are ordered may result in non-payment of ten percent (10%) of purchase order total until all manuals are received.
NOTES/COMMENTS:			

H. TECHNICAL SPECIFICATION: MISCELLANEOUS

YES	NO	NO & PROVIDE ALTERNATIVE	
X			1. Dealer's decals, stickers or other such signs shall not be put on units; manufacturer's nameplates, stampings and other similar signs are acceptable.
X			2. Color – except of the arrow board, trailer shall be painted highway safety yellow or highway orange. Please specify color of proposed unit. <u>YELLOW</u>
NOTES/COMMENTS:			

I. TECHNICAL SPECIFICATION: CIRCUIT DIAGRAM

YES	NO	NO & PROVIDE ALTERNATIVE	
X			1. A legible, detailed and complete circuit diagram identifying all components of the electronic control console should be furnished with bid proposal. A. This information will remain the confidential property of the State Purchasing Bureau and the Department of Transportation, Electronic Section. It will be used exclusively by the engineer-in-charge and will not be released to competition or to the public.
NOTES/COMMENTS:			

J. TECHNICAL SPECIFICATION: WARRANTY

YES	NO	NO & PROVIDE ALTERNATIVE	
X			1. Manufacturer's usual standard warranty shall apply, and must be in effect for a minimum of one (1) year from the date the equipment was received by the Nebraska Department of Transportation. Bidder shall be responsible and fully support an entire minimum on (1) year warranty regardless of whether or not the manufacturer may cover the entire one (1) year warranty period.
X			2. The lamps within each unit shall carry a five (5) year warranty against defects in material and/or workmanship from the manufacturer. Bidder shall be responsible and fully support an entire minimum five (5) year warranty on the lamps regardless of whether or not the manufacturer may cover the entire five (5) year warranty period.
X			3. Vendor shall be responsible for all repairs to include parts and labor during the usual warranty period. All service or repairs shall be by an authorized factory service representative.
X			4. Warranties may be required prior to an award. Please include manufacturer's usual warranty for each item bid with the bid documents. If warranties are not included with the bid, the vendor will be required to submit requested warranties within 3 business days of a written request. Failure to submit requested warranties may be grounds to reject the bid.
		X	5. Prior to the awarding of, or entering into any agreement or contract, it shall be the responsibility of the awarded contractor to warrant to the State of Nebraska, in writing, that it has a factory authorized dealers in the State of Nebraska who will provide warranty/service and repair work without undue delay. Please list dealer and/or service locations: <u>American Signal Company</u> <u>Ahron Kudela - Midwest Sales Manager</u>
NOTES/COMMENTS: 5. - NO IN STATE SERVICE PROVIDERS, AMERICAN SIGNAL COMPANY WILL PROVIDE NEEDED SERVICES.			

K. TECHNICAL SPECIFICATION: INSPECTION PRIOR TO AWARD

YES	NO	NO & PROVIDE ALTERNATIVE	
X			1. Department of Transportation, Fleet Management reserves the right to require the apparent lowest responsive bidder to provide the identical equipment/unit bid for an inspection and demonstration at final delivery location PRIOR TO BID AWARD
X			2. Bidder is responsible for all costs associated with a requested demonstration such as travel, lodging, food and all other expenses.
NOTES/COMMENTS:			

L. TECHNICAL SPECIFICATION: AUTHORIZED DEALER

YES	NO	NO & PROVIDE ALTERNATIVE	
X			1. All bidders must be an authorized dealer of the manufacturer to sell the equipment proposed. Vendor may be required to substantiate that he/she is an authorized dealer. Proof, if required, must be submitted to the State Purchasing Bureau within three (3) days of request.
NOTES/COMMENTS:			

M. TECHNICAL SPECIFICATION: SPECIFICATION FORM(S)

YES	NO	NO & PROVIDE ALTERNATIVE	
X			1. Specification form(s) will be supplied by Department of Transportation to the awarded contractor after a purchase order has been issued. The awarded contractor will be required to complete specification form to the fullest extent possible for each unit and must accompany each unit when delivered.
X			2. If vendor does not properly complete form for each unit, a sum of \$250.00 per unit will be deducted from purchase order total.
NOTES/COMMENTS:			

N. ANNUAL USAGE, ESTIMATED

YES	NO	NO & PROVIDE ALTERNATIVE	
X			1. Annual usage figures provided are estimates and are not to be construed as either a minimum or maximum purchase quantity. The orders shall be for the actual quantities of each item ordered by or for any agency during the life of the contract. Contractor shall not impose minimum order requirements.
X			2. FIVE (5) TO SEVEN (7) units per year.
NOTES/COMMENTS:			

O. USAGE REPORT

YES	NO	NO & PROVIDE ALTERNATIVE	
X			1. The contractor shall, upon request, provide a quarterly usage report of this contract by state agencies and political subdivisions. Information will include agency name, item, and dollar amount. Information may be requested at any time by the SPB, as determined by the State.
NOTES/COMMENTS:			

P. DELIVERY ARO

YES	NO	NO & PROVIDE ALTERNATIVE	
X			1. Delivery desired within 90 days after receipt of order(s).
NOTES/COMMENTS:			

Q. DELIVERY LOCATIONS / INSTRUCTIONS (CONTRACTOR AGREES THAT THEY CAN MEET THE DELIVERY LOCATIONS/INSTRUCTIONS)

YES	NO	NO & PROVIDE ALTERNATIVE	
X			1. NDOT 5001 S 14 th Street Lincoln, NE 68512
NOTES/COMMENTS:			

R. ORDERS

YES	NO	NO & PROVIDE ALTERNATIVE	
X			1. Orders will be placed either by, phone, e-mail or Internet (if available and not to the exclusion of the other methods).
X			2. All orders must reference a purchase order number and the purchase order number must be referenced on the packing slip, and invoice. Invoices are to be sent to the "Invoice to" address on the purchase order.
NOTES/COMMENTS:			

S. QUALITY

YES	NO	NO & PROVIDE ALTERNATIVE	
X			1. Product quality must meet specifications and be consistent for the term of the contract. All materials must be of first quality, under standard production by the manufacturer and be of standard design, complete as regularly advertised and marketed and be of proven performance.
X			2. A guarantee of satisfactory performance by the contractor and meeting delivery dates are considered to be an integral part of the purchase contract resulting from this proposal invitation.
X			3. Products are to be fully guaranteed and may be returned for full credit or replacement (at the State's option) for any reason during the initial warranty period with no additional charges for shipping or restocking.
NOTES/COMMENTS:			

Form A
Contractor Contact Sheet
Invitation To Bid Number 6162 OF

Form A should be completed and submitted with each response to this solicitation. This is intended to provide the State with information on the Contractor's name and address, and the specific person(s) who are responsible for preparation of the Contractor's response.

Preparation of Solicitation Contact Information	
Contractor Name:	American Signal Company
Contractor Address:	2755 Bankers Industrial Dr Atlanta, GA 30360
Contact Person & Title:	Ahron Kudela - Midwest Sales Manager
E-mail Address:	akudela@amsig.com
Telephone Number (Office):	770 448.6650 x 135
Telephone Number (Cellular):	808.756.0204
Fax Number:	770 448.8970

Each Contractor shall also designate a specific contact person who will be responsible for responding to the State if any clarifications of the Contractor's response should become necessary.

Communication with the State Contact Information	
Contractor Name:	American Signal Company
Contractor Address:	2755 Bankers Industrial Dr Atlanta, GA 30360
Contact Person & Title:	Ahron Kudela - Midwest Sales Manager
E-mail Address:	akudela@amsig.com
Telephone Number (Office):	770 448.6650 x 135
Telephone Number (Cellular):	808.756.0204
Fax Number:	770 448.8970



AMERICAN SIGNAL COMPANY
2755 Bankers Industrial Dr.
Atlanta, GA 30360
Phone: 770-448-6650
Fax: 770-448-8970

November 10, 2019

State of Nebraska
Buffy Meyer
T: 402.471.6500

RE: 6162 OF (FAP Bid – Trailer Mounted Arrow Board)

To Whom It May Concern:

American Signal Company (Amsig) is pleased to offer our model T825 (25 Lamp Trailer Mounted FAP) for consideration in the above bid opportunity. The T825 meets/exceeds the provided specification with the following exceptions listed below:

- Lamps used will be a PAR – 40 lamps.
- Fenders are Ruggedized plastic
- Tongue is not an A-Frame but a steel removable tongue, same steel at trailer.
- The arrow panel does not fold, it is vertical mast that raises and lowers using a manual hand crank.
- No warning lamp for battery usage
- Controller does not contain a “minimum on time” status indicator

Thank you for your time and consideration. Please let me know of any questions or concerns I need to address for you moving forward.

Sincerely,

Ahron Kudela
American Signal Company
770-448-6650 ext 135
akudela@amsig.com

American Signal Company

Amsig® LIMITED WARRANTY – 5 Year – Arrow Board

Scope of Warranty

AMERICAN SIGNAL COMPANY (“AMSIG”) warrants to the original purchaser (Purchaser) that every portable Arrow Board of AMSIG’s manufacture (Covered Equipment) is covered by this Limited Warranty subject to the conditions herein. AMSIG warrants the Covered Equipment to be free from defects in materials and workmanship and, within the applicable warranty period and in accordance with the terms and exclusions herein, will repair or replace (at AMSIG’s sole option) any part of Covered Equipment that (i) fails in normal use and (ii) was properly installed, serviced, and operated under normal conditions, as determined by AMSIG.

Eligibility

To be eligible for warranty service under this Limited Warranty, the Covered Equipment must have been purchased from and returned to an authorized AMSIG service facility. This warranty applies to Purchaser only and is not transferable. Proof of purchase may be required.

Limited Warranty Periods

A five (5) year warranty period, commencing from the date of shipment to Purchaser, applies to Covered Equipment subject to the terms and exclusions herein. Any parts or materials replaced by AMSIG under this Limited Warranty shall be warranted for the remainder of the original Limited Warranty Period. The warranty coverage for the Product is continual from the original shipment date and does not restart upon the replacement or repair of Covered Equipment or any part thereof.

Coverage

Warranty coverage is limited to parts and service labor, which will be provided without charge to Purchaser by AMSIG, for any proven failure in material or workmanship of Covered Equipment under normal use during the applicable Warranty Period and subject to the terms herein. Purchaser must return Covered Equipment, or any separable part thereof, allegedly requiring warranty work to an authorized AMSIG service facility for AMSIG inspection and subsequent warranty work (including, without limitation, repair or replacement), which will be determined by AMSIG in

its sole discretion. Purchaser’s freight, transportation, travel and other expenses incurred in returning the Covered Equipment for inspection and subsequent warranty work are Purchaser’s responsibility.

This Limited Warranty coverage shall be automatically suspended upon Purchaser’s failure to pay any obligation owed to AMSIG according to the terms agreed upon between them. Such suspension shall continue until the Purchaser has paid such obligation in full by good and current funds.

Purchaser’s Responsibilities

The Purchaser is responsible for maintaining the Covered Equipment as described in the documentation provided by AMSIG. Purchaser is required to ensure the Covered Equipment is assessed at an authorized AMSIG service facility for repairs as soon as a problem exists. Purchaser must deliver or have delivered the Product to AMSIG for inspection and any repair or replacement under this Warranty. It is recommended that Purchaser retain all records and receipts regarding maintenance. Purchaser is responsible for all shipping costs of Covered Equipment. If government regulations, industry certification, or similar standards require the repaired or replaced Covered Equipment to have features not found in the defective Covered Equipment, Purchaser will be charged for and responsible for paying the difference for those required features.

Exclusions

This Limited Warranty shall not apply to (i) any damage or failure of Covered Equipment due to normal wear, alteration, abuse, misuse, negligence, accident or collision, natural disaster or acts of nature, fire, flood, acts of war, improper or abnormal usage, faulty installation, improper or untimely maintenance, lightning or other incidents of excessive voltage, fuel or any other fluid contamination or degradation, misapplication, vandalism, use in a manner inconsistent with the intended use or not in accordance with AMSIG-provided documentation, shipping, transport, or handling; (ii) Covered Equipment that has been repaired by a non-AMSIG authorized service facility; (iii) if any associated products used in combination with the Covered Equipment fail to

exchange date data with the same; (iv) Covered Equipment damaged due to any other act, omission, or circumstance beyond AMSIG's reasonable control; or (v) alleged damage or defect not reported and delivered to AMSIG during the applicable Warranty Period.

Any repair or replacement of Covered Equipment or any part thereof not performed by an authorized AMSIG service facility shall void this warranty.

Any part or component of Covered Equipment covered by warranties issued by other manufacturers (Separate Warranty) shall not also be covered by this Limited Warranty and shall not be considered, by itself, Covered Equipment. Known or common Separate Warranty items may be listed herein. AMSIG specifically does not warrant any part or component under a Separate Warranty and shall not service said items under this Limited Warranty, including without limitation battery or batteries, battery charger, hydraulic pump system, tire(s), wheel(s), axle(s), brake(s), and trailer hitch(es). This Limited Warranty does not cover any damages to Covered Equipment if and to the extent that such damages are caused by or result from a defective or malfunctioning item under a Separate Warranty or no warranty.

Disclaimer of Consequential Damage

Purchaser acknowledges and agrees that AMSIG is not responsible for loss of time or use of Covered Equipment, transportation, commercial loss, or any other incidental or consequential damage. AMSIG shall not be liable for any special, indirect, incidental, or consequential damages whether in contract, in tort, under any warranty, or otherwise beyond the warranty stated herein for Covered Equipment or parts. ANY CLAIMS FOR INCIDENTAL OR CONSEQUENTIAL DAMAGES ARE EXPRESSLY EXCLUDED.

Limitation of Implied Warranties

EXCLUSIVE WARRANTY – LIMITATION OF LIABILITY: This Limited Warranty is the ONLY warranty given by AMSIG. No one is authorized to

make any warranties on behalf of AMSIG. **PURCHASER'S SOLE AND EXCLUSIVE REMEDY FOR BREACH OF THIS WARRANTY IS THE REPAIR OR REPLACEMENT OF NONFORMING COMPONENT AT AMSIG'S SOLE DISCRETION.** This Limited Warranty and AMSIG's obligations hereunder are in lieu of all other warranties, express, implied, or statutory, INCLUDING ANY WARRANTIES OF MERCHANTABILITY OR FITNESS FOR A PARTICULAR PURPOSE, and all other obligations or liabilities including special or consequential damages or contingent liabilities arising out of the failure of any product or part to operate properly.

IN JURISDICTIONS WHERE ANY SUCH WAIVER OF WARRANTIES IS NOT PERMITTED, ANY IMPLIED WARRANTIES, INCLUDING MERCHANTABILITY OR FITNESS FOR A PARTICULAR PURPOSE, SHALL NOT EXTEND BEYOND THE APPLICABLE WARRANTY PERIODS SPECIFIED IN THIS LIMITED WARRANTY. AMSIG'S SOLE LIABILITY WITH RESPECT TO DEFECTIVE PARTS OR FAILURE SHALL BE AS SET FORTH IN THIS LIMITED WARRANTY.

Length of Separate Warranty

- Batteries (Deep Cycle). 1.5 years (18 months)
- Batteries (AGM D Cycle).....2 years (24months)
- Batteries (Sealed Lead Acid) 1 year (12 Months)
- Charger 5 years (60 months)
- Hydraulic Pump System1 year (12 months)
- Axles2 years (24 months)
- Axles (Hydraulic/Extra Brakes). . . . 2 years (24 months)
- Brakes 2 years (24 months)
- Trailer Jack/Industrial Jack.3 years (36 months)
- Hopkins Towing Systems 3 years (36 months)
- LED Display Panel (AMSIG) 2 years (24 months)
- Printed Circuit boards (AMSIG). . . 2 years (24 months)
- Other components not specified Varies**
(Contact AMSIG for Information)

This Limited Warranty, dated July 2019, supersedes all prior and undated AMSIG warranty statements, except statements authorized by AMSIG in individual contracts.





PORTABLE FLASHING ARROW PANELS

15- and 25-lamp, Types B & C

MODELS T615, T625, T815, T825

CATALOG NUMBERS SUBJECT TO CHANGE



GENERAL SPECIFICATIONS

American Signal Company's Flashing Arrow Panel products feature an all-LED, 15- or 25-lamp trailer mounted display. These arrow board trailers are equipped with a high-wattage solar panel and low-maintenance battery bank. The Amsig FAP product line encourages motorist awareness and work zone safety, and is well suited for both highway and urban use.

FEATURES

- 15-lamp and 25-lamp configurations
- Type B (3'x6') and Type C (4'x8')
- High-Intensity LED lamps
- Indicator LED lamps on rear of display
- One-Mast structure for ease of transport
- Heavy-Duty steel frame
- Superior foot-print for maximum deployed stability
- Superior power management – over 50 days on batteries alone
- Simple & secured hand-held controller in lockable cabinet
- Single cabinet design for ease of operation & maintenance

DISPLAY CHARACTERISTICS

- Flashing & Sequential* Arrows
- Double Arrow
- Flashing & Sequential Chevrons*
- Caution Bar
- Caution Beacons
- Alternate Diamonds*

**indicates 25-lamp model only*

OPTIONS

- Wireless Controller
- Multiple towing hitch options
- Expanded battery bank for greater run time
- Trailer color options
- Tandem towing package
- Security measures – locking lug nuts, cabinet hidden clasp lock



2755 Bankers Industrial Dr. Atlanta, GA 30360
PHONE: 770.448.6650 FAX: 770.448.8970
info@amsig.com / www.amsig.com

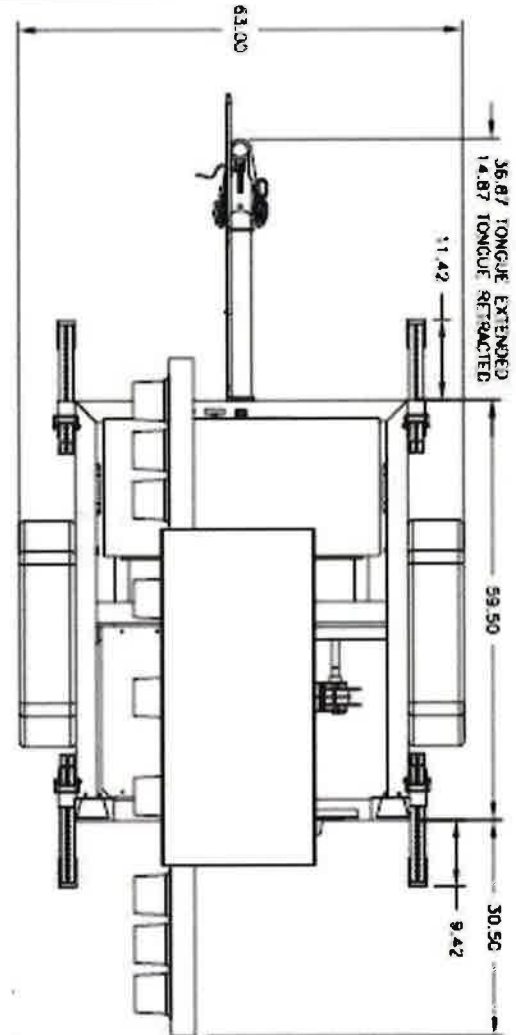
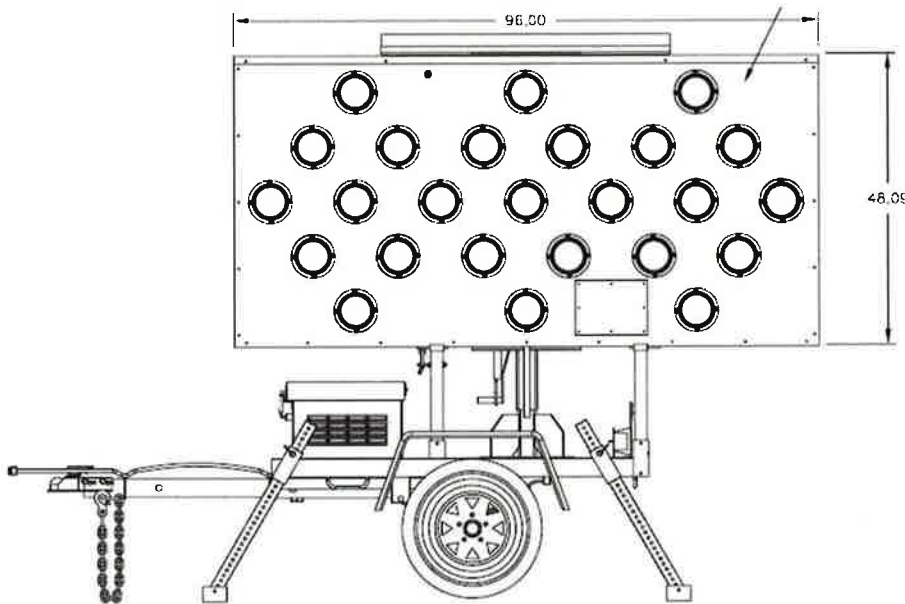


PORTABLE FLASHING ARROW PANELS

15- and 25-lamp, Types B & C

MODELS T615, T625, T815, T825
 CATALOG NUMBERS SUBJECT TO CHANGE

MODEL	LAMPS	SIZE	LEGIBILITY
T615	15	TYPE B, 3'X6'	3/4 MILE
T625	25	TYPE B, 3'X6'	3/4 MILE
T815	15	TYPE C, 4'X8'	1 MILE
T825	25	TYPE C, 4'X8'	1 MILE



TRAILER

Height	94" (storage & travel)	120-132" (deployed)
Length	127" (travel)	80" (w/ tongue removed)
Width	63"	
Trailer Frame	Steel Tube	3"x3" ASTM A 500 Grade B
Battery & Control Cabinet	Aluminum, locking & weatherproof	3003-H14
Solar	40W	Options Available
Batteries	2x6VDC Lead Acid	Options Available
Hitch	2" ball	Options Available

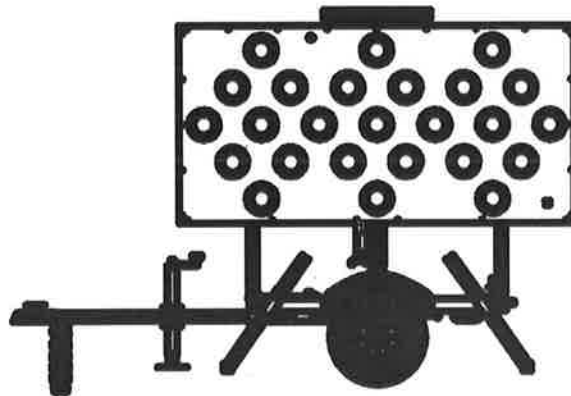
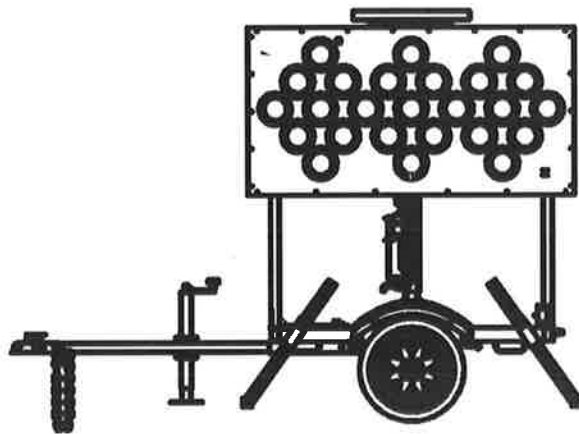


2755 Bankers Industrial Dr. Atlanta, GA 30360
 PHONE: 770.448.6650 FAX: 770.448.8970
 info@amsig.com / www.amsig.com

Flashing Arrow Panel – T/Y 625/825

All LED 25-Lamp Portable Flashing Arrow Panel

Product Specifications





*2755 Bankers Industrial Drive
Atlanta, GA 30360
Phone: 770-448-6650
Fax: 770-448-8970*

1. SCOPE

This specification defines the characteristics and features of an all LED, flashing arrow panel that is capable of MUTCD-designed displays.

- The board may be trailer mounted.
- Additionally, the board may be truck mounted, either at the rear of a flatbed or behind the cab (mid bed) of either a flatbed or pick-up.
- When trailer mounted, the sign system is compatible with a solar charging system in conjunction with an onboard 110 VAC charging capability.
- When truck mounted, the sign system is compatible with charging of the 12 VDC power source battery pack from the vehicle charging system.
- The board system may, as an option, be equipped for wireless operation.
- Meets or exceeds standards set forth in:
 - FHWA
 - MUTCD

IMPORTANT FEATURES:

- 1-mile visibility of display
- Eco-friendly power system featuring high-efficiency solar charging and spill-proof batteries
- Heavy duty all steel welded trailer frame to ensure long life and excellent durability
- Powder-coat and oven-bake paint process to protect it from weather and road hazards



2. DISPLAY

2.1. Description:

- The display shall consist of an LED lamp matrix comprised of a configuration specific to the board model.
- Each board shall have 25 lamps.

2.2. Display Configuration:

- Each lamp shall be 100% solid state with no moving parts or switches, shall be identical to, and mutually interchangeably with, all other lamps.
- No programming modifications shall be required to exchange or replace individual lamps.
- Each lamp shall contain the LED driver circuitry necessary to operate its associated LED's.
- There shall be no separate driver boards between the lamps and the central processing unit (CPU).

2.3. LED:

- The lamps shall be comprised of ITE amber (approx. 592 nm) LED providing both daytime and nighttime visibility.
- LED's shall be rated for a 100,000-hour service life and shall have an operating temperature range of - 22 degrees F. to + 165 degrees F.

2.4. LED Lamp Shroud:

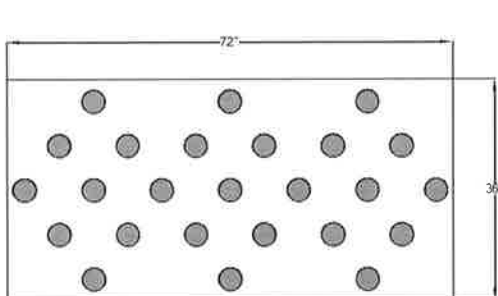
- Each lamp shall have a hardened plastic shroud nominally 5.5" in diameter and nominally 5.5" long.

2.5. Display Power Supply:

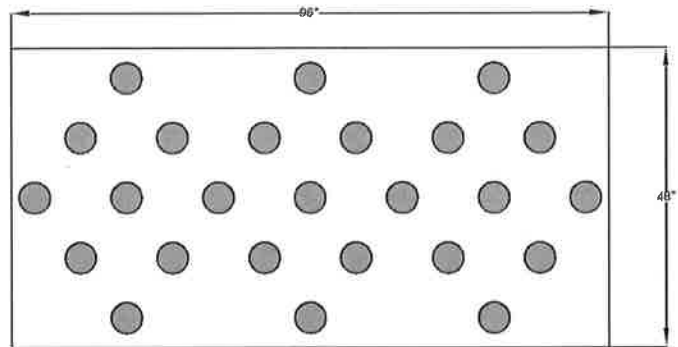
- The power supply for the display shall be sufficient to operate the LED lamps for both daylight and nighttime conditions.
- It shall be suitably regulated and temperature stable.
- It shall be fully operational in the temperature range of - 30 degrees F. to + 165 degrees F.

2.6. Lamp Wiring:

- The display wiring shall be comprised of positive locking connectors at the CPU and at the individual lamps.
- The wiring shall be comprised of twenty gauge, or larger, individual conductors (no ribbon cables), and shall be configured so as to preclude a malfunctioning lamp from corrupting any other lamp in the display.



**MODEL 625
TYPE B**



**MODEL 825
TYPE C**



3. 12 VDC POWER SOURCE

3.1. Description: The 12 VDC power source for the board system shall be provided by a 12 VDC lead-acid battery bank as follows:

3.1.1. Trailer Mounted System:

- The trailer-mounted system shall be provided with a dedicated battery pack which will yield 30+ days of run time (continuous operation of the arrow panel without solar charging).
 - Battery Type – sealed lead acid 12VDC Bright Way Group (or similar)
 - 20° Amp Hour Rating - 18 Amp Hours
 - Number of Batteries - 8

3.1.2. Truck Mounted System:

- The truck mounted system shall be powered:
 - Directly from the vehicle electrical system
 - Or by an optional dedicated battery pack
 - If the dedicated battery pack is connected to the vehicle charging system, it should be isolated by installing a commercially available RV battery isolator.

3.2. Charging: The charging system for the primary power supply shall be as follows:

- The charging system for a trailer mounted board shall be a solar system consisting of a photovoltaic array supplying electrical energy to the batteries through a solar regulator.
- The system shall provide “on demand” charging consistent with battery condition and with the solar luminance at the photovoltaic array.
- The trailer shall be equipped with a 110 VAC receptacle.
- The onboard 110 VAC charging system shall initiate charging automatically when 110 VAC service is connected, and shall be capable of completely charging the battery pack within a 24-hour time period. The actual charging time will vary depending upon conditions and state of charge/discharge of the batteries. Initiation of 110 VAC charging shall completely disconnect the solar charging capability from the charging circuit.

3.2.1. Trailer Mounted System:

FAP Model	Solar Panel Wattage	# of Panels
T625/825	40 Watts	1

3.2.2. Truck Mounted System: The truck-mounted system shall be charged from the vehicle electrical system.



4. CENTRAL PROCESSING UNIT

4.1. Description:

- The CPU shall consist of a single printed circuit board which shall contain all of the board memory and operating software.
- The CPU shall be a conformal coated 100% solid state unit with no moving parts or switches, shall be operable in 0-95% non-condensing humidity conditions at temperatures from -30 degrees F to +165 degrees F, and shall include provision(s) for protection against damage should the 12 VDC power source be incorrectly connected with the leads reversed.
- The CPU shall be capable of operating the sign system in the event that the wired controller is disconnected.

4.2. CPU Location: The CPU shall be located within the board housing behind the lamps and shall be mounted on the display panel support structure.

4.3. CPU Wiring: For ease of maintenance, the CPU shall contain all of the terminal connectors for the display wiring and the controller cable.

5. DISPLAY CONTROLLER

5.1. Description:

- The board controller shall utilize industry standard function control commands.
- The board controller shall be nominally 3" x 2" x 1", and shall be permanently affixed for security and ease of use.
- The controller shall be weather-tight, shall be manufactured with conformal-coated circuit boards capable of operation in 0-95% non-condensing humidity conditions, and shall be rated for operation from -30 degrees F to +165 degrees F.

5.2. Location:

5.2.1. Trailer Mounted System:

- On a trailer mounted sign system, the control terminal shall be located on the rear of the display board within a NEMA-style enclosure.
- The enclosure shall be mounted inside the display board, and shall utilize hinges permitting a full 225-degree door swing.
- The enclosure shall have an integrated padlockable latch and hasp to provide ease of opening and securing of the door.

5.2.2. Truck Mounted System:

- On a truck mounted system, the control terminal can be located in the cab of the vehicle at the customer's convenience and shall be connected to the board display via an electrical umbilical connection at the bottom of the display housing.

5.3. A small hand held key fob controller shall be available for wireless control as an upgradeable option. The key fob shall be nominally 2 ¼" x 1 ¼" x ½", and shall be electronically synchronized to function with a specific board controller.



6. BOARD OPERATING SOFTWARE

6.1. Description: The sign operating software shall provide for operator interaction with the board system through the trailer-mounted control terminal. Additionally, local access may be achieved utilizing a wireless key fob device.

6.2. Controller: The control terminal shall include:

- on/off power button
- operation mode selector
- current mode display
- display brightness mode selector

6.2.1. Wireless Controller: The optional wireless controller shall be of a key fob design, and shall include:

- operation mode selector
- display brightness mode selector

6.3. Operation Modes: The operation modes shall provide MUTCD configurations for:

- Left/Right Arrow
- Left/Right Sequential Arrow
- Left/Right Sequential Chevrons
- Double Arrow
- Caution Bar
- Four Corner Beacon Caution
- Alternating Diamonds

7. PANEL CASE

7.1. Description:

- The panel case shall be of all aluminum construction fabricated utilizing ASTM B 209 6063-T5 extrusions and 3003-H14 sheet material.
- Case Dimensions for the Type C 825 – 48" High X 96" Wide
- Case Dimensions for the Type B 625 – 36" High X 72" Wide
- The case shall be nominally 3" in thickness and shall be painted flat black on all interior and exterior surfaces.

7.2. Board Case Housing: The sign case shall contain the display lamps, the display power supply, wiring harnesses, and the photocell.



8. SIGN SUPPORT

8.1. Description: The configuration of the actual support structure will be dependently variable as the type of vehicle upon which the board is transported and/or displayed varies.

8.2. Vehicle Type:

- The sign may be transported and displayed on a dedicated trailer that accommodates the 12 VDC power source batteries and the combination of solar and 110 VAC charging systems.
- Alternatively, the board may be transported and/or displayed on a pick-up or flat bed truck with one of several support structures

8.2.1. Trailer Mounted:

- If trailer mounted, the raising and lowering mechanism shall be of a hand crank winch-and-pulley design.
- The solar array shall be mounted on a level mechanism such that the array is maintained in a nominally horizontal plane.
- The pivot mechanism shall be constructed such that a single operator can deploy the display and the solar array simultaneously.
- The crank design shall be a powder coated brake winch rated for 800 lbs., shall meet ASAE Safety Standard S361.3, and shall use a 4.4:1 gear advantage.
- The height of the trailer mounted board in the transport mode shall be 97" to the top of the solar array, and in the display mode, 132" to the top of the solar array.

8.2.2. Truck Mounted:

- The board may be mounted permanently or semi-permanently on a truck by bolting the sign support structure to the bed floor or walls.
- The board may also be mounted temporarily utilizing a skid mount that fits in the bed of the vehicle.
- With any mounting configuration, it is recommended that the support structure accommodate tilting the board to a horizontal position for transporting and to a vertical, or nearly vertical, position for display.

9. TRANSPORT VEHICLE

9.1. Trailer: For trailer-mounted boards, the trailer shall meet the following requirements:

9.1.1. Description:

- The trailer shall be 119" in length with the retractable and removable tongue in place and 63" in width.
- It shall be constructed of 3" x 2" steel tube (ASTM A 500 Grade B) with 1/8" wall thickness and shall be welded in accordance with applicable American Welding Society (AWS) standards.
- The trailer shall have a lockable, weatherproof enclosure housing the controller, and a battery box whose lid is secured by tamper-resistant Torx bolts for the 12 VDC power source batteries.

9.1.2. Rating:

- The axle shall be rated for 1900 pounds, and the springs for 1900 pounds each set.
- The wheels shall be 13" steel with 5 lugs bolts per wheel and fitted with 175-80-13 C rated tires. Optional 15" wheels and tires shall be available as an upgradeable option.
- The removable and retractable tongue shall be fitted with a 2" ball coupler rated for 5000 pounds.
- Standard axle is leaf spring, customer may upgrade to a torsion suspension system if required.



9.1.3. Removable/Retractable Tongue:

- The retractable tongue shall be fabricated from 2" X 2" steel tube (ASTM A 500 Grade B) with 1/8" wall thickness, shall be affixed to the body of the trailer, and shall have safety chains attached.
- The lighting lead shall be affixed permanently to the tongue and shall separate from the trailer wiring harness at a plug connector when the tongue is retracted.
- The tongue shall have a 2-ton capacity top-wind leveling jack affixed to it.

9.1.4 Stabilizing Legs:

- The trailer chassis shall have at each corner a Telespar-style stabilizing leg affixed in such a manner that the legs may be readily retracted and locked in position for traveling without necessitating the use of any tools.
- The trailer and sign assembly, when stationary and supported properly with the leveling jacks shall withstand AASHTO rated 100 MPH wind gusts.

9.2. Trucks: The board system may be mounted on a variety of vehicles ranging from full size pick-ups to flatbeds, long line strippers, etc. Mounting specifications will vary with the transport vehicle.

10. OPTIONS

10.1 Description: The FAP may be provided with additional equipment for ease of operation.

10.2 Expanded Power Configurations: The FAP models can be outfitted with larger capacity solar panel for extended run time.

10.3 Wireless Operation: The FAP display can be operated by a wireless handheld controller or key fob.

10.4 Trailer Paint: The FAP trailer can be painted a variety of colors.

10.5 Miscellaneous: American Signal is able to meet the user's needs for additional hardware items. We are able to provide any hitch type (Ball, Pintle or Lunette Eye, Bulldog, Adjusting Height, etc...), axle type, lift requirements, color specifications, alarms, etc.



American Signal Company

Note of Application: This specification is widely applicable to catalog items AMS30115321, AMS30115390, AMS30115421, AMS30115490. Catalog designations and this specification are subject to change without notice.